



CONDENSING UNITS & UNIT HOUSING



J
SECTION

Tecumseh Condensing Units

The standard range of Tecumseh condensing units are listed below. We also offer standard housed units and low noise housed units.



Tecumseh

1PH - HBP R404A/R452A/R449A*

CODE	MODEL	APPROX HP	DISP. C.C.
J705	AE4425ZHR	1/5	4.24
J706	AE4430ZHR	1/4	5.77
J708	AE4440ZHR	1/3	7.55
J709	AE4450ZHR	3/8	9.40
J710	AE4460ZHR	1/2	11.30
J711	AE4470ZHR	5/8	13.30
J712	CAJN9480ZMHR	5/8	15.20
J713	CAJN9510ZMHR	3/4	18.30
J714	CAJN9513ZMHR	1	24.20
J715	CAJN4517ZHR	1-1/4	25.95
J719	CAJN4519ZHR	1-1/2	34.45
J717	FHT4522ZHR-XC	1-5/8	39.60
J778	FHT4524ZHR-XC	2	43.30
J779	FHT4532ZHR-XC	2-1/2	50.60
J724	FHT4538ZHR-XC	3-1/2	63.00



3PH - HBP R404A/R452A/R449A*

CODE	MODEL	APPROX HP	DISP. C.C.
J720	TAJN9510ZMHR	3/4	18.30
J721	TAJN9513ZMHR	1	24.20
J722	TAJN4517ZHR	1-1/4	25.95
J723	TAJN4519ZHR	1-1/2	34.45
J726	FHT4522ZHR-XG	1-5/8	39.60
J725	FHT4524ZHR-XG	2	43.30
J727	FHT4532ZHR-XG	2-1/2	56.65
J729	FHT4538ZHR-XG	3	63.00
J731	TAGT4546ZHR	4	90.20
J733	TAGT4553ZHR	4-1/2	100.70
J735	TAGT4561ZHR	5	112.50
J737	TAGT4568ZHR	6	124.40
J738	TAGT4573ZHR	6-1/2	134.80
J739	TAGT4581ZHR	7	145.00



Tecumseh

1PH - HBP R134a/R513A*

CODE	MODEL	APPROX HP	DISP. C.C.
J743	AE4425YHR	1/5	6.69
J744	AE4430YHR	1/4	8.02
J746	AE4440YHR	1/3	10.33
J747	AE4450YHR	3/8	13.24
J742	AE4456YHR	3/8	14.51
J745	AE4460YHR	1/2	15.09
J748	CAJN4452YHR	3/8	15.20
J749	CAJN4461YHR	1/2	18.30
J752	CAJN4476YHR	5/8	22.80
J750	CAJN4492YHR	3/4	25.90
J751	CAJN4511YHR	1	32.70
J754	CAJN4513YHR	1	34.45
J781	FHT4518YHR-XC	1-1/2	48.50
J783	FHT4525YHR-XC	2	63.00



*R513A/R452A/R449A selections, refer to Tecumseh Guidelines

Tecumseh Condensing Units

3PH - HBP R134a/R513A*

CODE	MODEL	APPROX HP	DISP. C.C.
J757	TAJN4511YHR	1	32.70
J758	TFHT4518YHR	1-1/2	53.20
J760	TFHT4525YHR	2	74.25
J761	TAGT4528YHR	2-1/4	90.20
J759	TAGT4534YHR	2-3/4	100.70
J763	TAGT4537YHR	3-1/4	112.50
J764	TAGT4543YHR	3-1/2	124.40
J768	TAGT4547YHR	4	135.00



Tecumseh



1PH - LBP R404A/R452A*

CODE	MODEL	APPROX HP	DISP. C.C.
J770	AE2410ZBR	1/4	5.02
J772	AE2415ZBR	3/8	7.33
J765	AE2420ZBR	1/2	11.30
J776	AE2425ZBR	5/8	12.01
J767	CAJN2428ZBR	3/4	15.20
J769	CAJN2432ZBR	3/4	18.30
J777	CAJN 2440ZBR	1	21.00
J771	CAJN2446ZBR	1-1/4	26.20
J773	CAJN2464ZBR	1-1/2	34.50
J787	FHT2480ZBR-XC	2	54.30
J791	FHT2511ZBR-XC	2-1/2	68.00

3PH - LBP R404A/R452A*

CODE	MODEL	APPROX HP	DISP. C.C.
J780	TAJN2446ZBR	1-1/4	26.20
J782	TAJN2464ZBR	1-1/2	34.45
J784	FHT2480ZBR-XG	2	54.30
J793	FHT2511ZBR-XG	2-1/2	68.00
J792	TAGT2513ZBR	3-1/2	100.70
J788	TAGT2516ZBR	4	112.50
J790	TAGT2522ZBR	5-1/2	135.00
J794	TAGT2525ZBR	6	145.00

*R513A/R452A/R449A selections, refer to Tecumseh Guidelines

Tecumseh Condensing Units (Optional Extras)

Optional variable fan speed kit (see below for specific models)

CODE	PART NO	DESIGNATION	TO SUIT
J7000	8587000	Variable fan speed kit. AC Fan, 10bar, R134a	Standard Units* and Wintsys (S and M) Single Phase Models Only
J7002	8587001	Variable fan speed kit. AC Fan, 16bar, R404A	Standard Units* and Wintsys (S and M) Single Phase Models Only
J7005	8687300	Variable fan speed kit. 230V ESM Fan, 250/300mm ø 10bar, R134a	AJ Silence Units - Except CAJN/TAJN 4517 and 4519. Single Phase Models Only
J7007	8687301	Variable fan speed kit. 230V ESM Fan, 250/300mm ø 16bar, R404A	AJ Silence Units - Except CAJN/TAJN 4517 and 4519. Single Phase Models Only
J7010	8587002	Variable fan speed kit. EC Fan, 350mm ø, 10bar, R134a	AJ Silence Units - Models CAJN/TAJN 4517 and 4519. Single Phase Models Only
J7012	8587003	Variable fan speed kit. EC Fan, 350mm ø, 16bar, R404A	AJ Silence Units - Models CAJN/TAJN 4517 and 4519. Single Phase Models Only

*TH/AE²/AJ² (Except Silence range) /FH/AG and VS Families

Tecumseh Condensing Unit Data

MODEL	Dimensions mm			Connections		Sound Power	Horse Power	Net Weight kg	Voltage
	Length	Width	Height	Suction	Liquid				
AET4425YHR-FZ	404	322	257	3/8"	1/4"	59	1/5	18.9	220 - 240V 1~ 50 Hz
AE4430YHR-FZ	404	322	257	3/8"	1/4"	59	1/4	15.2	220 - 240V 1~ 50 Hz
AE4440YHR-FZ	404	322	257	3/8"	1/4"	59	1/3	19.3	220 - 240V 1~ 50 Hz
AE4450YHR-FZ	501	346	303	3/8"	1/4"	69	1/2	19.3	220 - 240V 1~ 50 Hz
AE4456YHR-FZ	501	346	303	3/8"	1/4"	69	1/2	25	220 - 240V 1~ 50 Hz
AE4460YHR-FZ	501	346	303	3/8"	1/4"	69	1/2	25.4	220 - 240V 1~ 50 Hz
CAJN4452YHR-FZ	511	345	304	1/2"	1/4"	58	1/2	29	220 - 240V 1~ 50 Hz
CAJN4461YHR-FZ	511	345	304	1/2"	1/4"	58	1/2	29	220 - 240V 1~ 50 Hz
CAJN4476YHR-FZ	488	432	340	1/2"	3/8"	62	3/4	29	220 - 240V 1~ 50 Hz
CAJN4492YHR-FZ	488	432	340	1/2"	3/8"	63	3/4	34	220 - 240V 1~ 50 Hz
CAJN4511YHR-FZ	488	432	340	5/8"	3/8"	64	1	35	220 - 240V 1~ 50 Hz
TAJN4511YHR-TZ	488	432	340	5/8"	3/8"	64	1	33	400V 3~ 50 Hz / 440V 3~ 60 Hz
CAJN4513YHR-FZ	608	513	437	5/8"	3/8"	70	1	41	220 - 240V 1~ 50 Hz
FHT4518YHR-XC	607	512	436	5/8"	3/8"	73	1-1/2	48	220 - 240V 1~ 50 Hz
FHT4518YHR-TX	607	512	436	5/8"	3/8"	73	1-1/2	49	400V 3~ 50Hz
FHT4525YHR-XC	607	512	436	5/8"	3/8"	73	2	49	220 - 240V 1~ 50 Hz
FHT4525YHR-TX	607	512	436	5/8"	3/8"	74	2	50	400V 3~ 50Hz
TAGT4528YHR-TZ	685	591	555	7/8"	3/8"	81	2-1/2	72	400V 3~ 50 Hz / 440V 3~ 60 Hz
TAGT4534YHR-TZ	685	591	555	7/8"	3/8"	83	3	75	400V 3~ 50 Hz / 440V 3~ 60 Hz
TAGT4537YHR-TZ	685	591	555	7/8"	3/8"	80	3	74	400V 3~ 50 Hz / 440V 3~ 60 Hz
TAGT4543YHR-TZ	707	591	555	7/8"	3/8"	81	3-1/2	76	400V 3~ 50 Hz / 440V 3~ 60 Hz
TAGT4547YHR-TZ	642	760	608	1-1/8"	1/2"	75	6	87	400V 3~ 50 Hz / 440V 3~ 60 Hz
AET4425ZHR-FZ	404	322	257	3/8"	1/4"	62	1/5	19	220 - 240V 1~ 50 Hz
AET4430ZHR-FZ	404	322	257	3/8"	1/4"	59	1/4	19.3	220 - 240V 1~ 50 Hz
AET4440ZHR-FZ	501	346	303	3/8"	1/4"	69	1/3	23.9	220 - 240V 1~ 50 Hz
AET4450ZHR-FZ	501	346	303	3/8"	1/4"	69	1/2	24.9	220 - 240V 1~ 50 Hz
AET4460ZHR-FZ	496	433	338	3/8"	1/4"	69	1/2	24.8	220 - 240V 1~ 50 Hz
AET4470ZHR-FZ	496	433	338	3/8"	1/4"	70	1/2	27.6	220 - 240V 1~ 50 Hz
CAJN9480ZMHR-FZ	488	432	340	1/2"	3/8"	64	1	33	220 - 240V 1~ 50 Hz
CAJN9510ZMHR-FZ	488	432	340	5/8"	3/8"	65	1-1/4	33	220 - 240V 1~ 50 Hz
TAJN9510ZMHR-TZ	488	432	340	5/8"	3/8"	67	1-1/4	31	400V 3~ 50 Hz / 440V 3~ 60 Hz
CAJN9513ZMHR-FZ	488	432	340	5/8"	3/8"	65	1-3/4	34	220 - 240V 1~ 50 Hz
TAJN9513ZMHR-TZ	488	432	340	5/8"	3/8"	65	1-3/4	32	400V 3~ 50 Hz / 440V 3~ 60 Hz
CAJN4517ZHR-FZ	608	513	437	5/8"	3/8"	71	1-1/2	44	220 - 240V 1~ 50 Hz
TAJN4517ZHR-TZ	608	513	437	5/8"	3/8"	70	1-1/2	40	400V 3~ 50 Hz / 440V 3~ 60 Hz
CAJN4519ZHR-FZ	608	513	437	5/8"	3/8"	72	1-1/2	44	220 - 240V 1~ 50 Hz
TAJN4519ZHR-TZ	608	513	437	5/8"	3/8"	71	1-1/2	41	400V 3~ 50Hz / 440V 3~ 60 Hz
FHT4522ZHR-XC	607	512	436	5/8"	3/8"	74	1-3/4	52	220 - 240V 1~ 50 Hz
FHT4522ZHR-TX	607	512	436	5/8"	3/8"	75	1-3/4	52	400V 3~ 50 Hz
FHT4524ZHR-XC	643	592	540	5/8"	3/8"	80	2	61	220 - 240V 1~ 50 Hz
FHT4524ZHR-TX	643	592	540	5/8"	3/8"	80	2	61	400V 3~ 50 Hz
FHT4532ZHR-XC	643	592	540	7/8"	1/2"	81	2-1/2	66	220 - 240V 1~ 50 Hz
FHT4532ZHR-TX	643	592	540	7/8"	1/2"	80	2-1/2	66	400V 3~ 50 Hz
FHT4538ZHR-XC	643	592	540	7/8"	1/2"	81	1/2	67	220 - 240V 1~ 50 Hz
FHT4538ZHR-TX	643	592	540	7/8"	1/2"	81	1/2	68	400V 3~ 50 Hz
TAGT4546ZHR-TZ	615	1060	555	7/8"	1/2"	86	4	100	400V 3~ 50 Hz / 440V 3~ 60 Hz
TAGT4553ZHR-TZ	615	1060	555	7/8"	5/8"	85	4-1/2	101	400V 3~ 50 Hz / 440V 3~ 60 Hz
TAGT4561ZHR-TZ	615	1060	555	1-1/8"	5/8"	86	5	101	400V 3~ 50 Hz / 440V 3~ 60 Hz
TAGT4568ZHR-TZ	615	1060	555	1-1/8"	5/8"	85	5-1/2	102	400V 3~ 50 Hz / 440V 3~ 60 Hz
TAGT4573ZHR-TZ	615	1060	555	1-1/8"	5/8"	85	6	107	400V 3~ 50 Hz / 440V 3~ 60 Hz
TAGT4581ZHR-TZ	615	1060	555	1-1/8"	5/8"	86	6-1/2	107	400V 3~ 50 Hz / 440V 3~ 60 Hz
AET2415ZBR-FZ	398	312	237	3/8"	1/4"	59	1/3	19.40	220 - 240V 1~ 50 Hz
AET2420ZBR-FZ	404	322	25	3/8"	1/4"	58	1/2	19.40	220 - 240V 1~ 50 Hz
AET2425ZBR-FZ	501	346	303	3/8"	1/4"	65	1/2	25.50	220 - 240V 1~ 50 Hz
CAJN2428ZBR-FZ	511	345	304	1/2"	1/4"	57	3/4	30.00	220 - 240V 1~ 50 Hz
CAJN2432ZBR-FZ	511	345	304	1/2"	1/4"	59	3/4	30.00	220 - 240V 1~ 50 Hz
CAJN2440ZBR-FZ	488	432	340	1/2"	3/8"	58	1	32.00	220 - 240V 1~ 50 Hz
CAJN2446ZBR-FZ	488	432	340	1/2"	3/8"	62	1-1/4	33.00	220 - 240V 1~ 50 Hz
TAJN2446ZBR-TZ	488	432	340	1/2"	3/8"	64	1-1/4	33.00	400V 3~ 50 Hz / 440V 3~ 60 Hz
CAJN2464ZBR-FZ	488	432	340	5/8"	3/8"	64	1-1/2	34.00	220 - 240V 1~ 50 Hz
TAJN2464ZBR-TZ	488	432	340	5/8"	3/8"	65	1-1/2	34.00	400V 3~ 50 Hz / 440V 3~ 60 Hz
FHT2480ZBR-XC	607	512	436	5/8"	3/8"	74	2	52.00	220 - 240V 1~ 50 Hz
FHT2511ZBR-XC	607	512	436	5/8"	3/8"	76	2-1/2	53.00	220 - 240V 1~ 50 Hz
TAGT2513ZBR-TZ	685	591	540	7/8"	3/8"	82	3	73.00	400V 3~ 50 Hz / 440V 3~ 60 Hz
TAGT2516ZBR-TZ	685	710	540	7/8"	3/8"	81	4	79.00	400V 3~ 50 Hz / 440V 3~ 60 Hz
TAGT2522ZBR-TZ	642	760	608	1-1/8"	3/8"	79	5-1/2	86.00	400V 3~ 50 Hz / 440V 3~ 60 Hz
TAGT2525ZBR-TZ	685	755	60	1-1/8"	1/2"	84	6	87.00	400V 3~ 50 Hz / 440V 3~ 60 Hz

Tecumseh Condensing Unit Performance Data

R134a/R513A* HBP Capacity Data

* For R513A Capacity Data Contact **FSW** Technical Department

MODEL	FULL LOAD CURRENT (A)	VOLTAGE CODE*	COOLING CAPACITY IN W EN13215, AMBIENT TEMP. 32°C, SUPERHEATING 10K SUBCOOLING 3K EVAPORATING TEMPERATURE (DEW)						
			-15°C	-10°C	-5°C	0°C	+5°C	+10°C	+15°C
			AET4425YHR-FZ	2.6	FZ	224	298	382	477
AE4430YHR-FZ	3.3	FZ	297	381	478	589	713	849	998
AE4440YHR-FZ	3.9	FZ	385	481	590	712	847	995	1155
AE4450YHR-FZ	5	FZ	513	643	788	951	1131	1328	1542
AE4456YHR-FZ	6.2	FZ	569	713	875	1057	1258	1481	1724
AE4460YHR-FZ	5.1	FZ	587	738	907	1096	1304	1534	1785
CAJN4452YHR-FZ	5.6	FZ	444	575	723	885	1061	1250	1449
CAJN4461YHR-FZ	5.9	FZ	541	685	846	1024	1218	1425	1646
CAJN4476YHR-FZ	7.1	FZ	700	915	1162	1442	1756	2104	2488
CAJN4492YHR-FZ	9.1	FZ	864	1120	1410	1733	2088	2474	2887
CAJN4511YHR-FZ	8.8	FZ	1104	1396	1718	2067	2439	2831	3240
TAJN4511YHR-TZ	3.5 3.5	TZ	1078	1373	1696	2044	2416	2806	3213
CAJN4513YHR-FZ	10.5	FZ	1295	1669	2101	2595	3154	3781	4479
FHT4518YHR-XC	11.1	XC	1637	2170	2789	3498	4296	5179	6141
FHT4518YHR-TX	5.3	TX	1586	2096	2690	3370	4141	5002	5955
FHT4525YHR-XC	14.4	XC	2113	2784	3554	4423	5388	6439	7565
FHT4525YHR-TX	6.3	TX	2058	2714	3469	4324	5273	6310	7422
TAGT4528YHR-TZ	11.1 10.1	TZ	1979	2846	3866	5010	6253	7572	8948
TAGT4534YHR-TZ	11.5 12.1	TZ	2718	3670	4792	6056	7438	8916	10479
TAGT4537YHR-TZ	11.1 11.5	TZ	3116	4131	5331	6684	8164	9749	11431
TAGT4534YHR-TZ	11.5 12.1	TZ	2718	3670	4792	6056	7438	8916	10479
TAGT4547YHR-TZ	11.6 11.5	TZ	3930	5153	6538	8084	9788	11652	13679

* FZ = 220-240V-50Hz TZ = 400V-3PH-50Hz * XC = 220-240V-50Hz TX = 400V-3PH-50Hz

R404A HBP Capacity Data

MODEL	FULL LOAD CURRENT (A)	VOLTAGE CODE*	COOLING CAPACITY IN W EN13215, AMBIENT TEMP. 32°C, SUPERHEATING 10K SUBCOOLING 3K EVAPORATING TEMPERATURE (DEW)				
			-15°C	-10°C	-5°C	0°C	+5°C
			AET4425ZHR-FZ	3.0	FZ	258	323
AET4430ZHR-FZ	3.1	FZ	315	392	479	575	682
AET4440ZHR-FZ	4.1	FZ	432	535	652	784	930
AET4450ZHR-FZ	5.5	FZ	545	666	799	944	1101
AET4460ZHR-FZ	6.5	FZ	721	880	1059	1261	1488
AET4470ZHR-FZ	5.9	FZ	840	1020	1222	1448	1700
CAJN9480ZMHR-FZ	6.9	FZ	877	1084	1315	1571	1852
TAJN9480ZMHR-TZ	3.2 3.1	TZ	889	1103	1342	1608	1901
CAJN9510ZMHR-FZ	8.6	FZ	1058	1295	1557	1845	2159
TAJN9510ZMHR-TZ	3.2 3.2	TZ	1065	1301	1562	1847	2159
CAJN9513ZMHR-FZ	11.5	FZ	1277	1569	1884	2219	2572
TAJN9513ZMHR-TZ	4.1 4.1	TZ	1226	1507	1812	2139	2489
CAJN4517ZHR-FZ	13.5	FZ	1629	2000	2415	2876	3386
TAJN4517ZHR-TZ	4.4 4.7	TZ	1619	2015	2454	2937	3468
CAJN4519ZHR-FZ	16.0	FZ	2023	2491	3002	3553	4148
TAJN4519ZHR-TZ	5.6 5.5	TZ	2025	2471	2957	3482	4046
FHT4522ZHR-XC	14.4	XC	2237	2813	3445	4123	4831
FHT4522ZHR-TX	5.8	XG	2149	2726	3365	4055	4781
FHT4524ZHR-XC	17.2	XC	2432	3057	3750	4509	5331
FHT4524ZHR-TX	7.8	XG	2338	2966	3666	4436	5270
FHT4532ZHR-XC	21.9	XC	2973	3743	4591	5512	6505
FHT4532ZHR-TX	7.8	XG	2937	3669	4477	5359	6315
FHT4538ZHR-XC	27.0	XC	3733	4650	5666	6784	8005
FHT4538ZHR-TX	9.7	XG	3841	4773	5800	6922	8145
TAGT4546ZHR-TZ	15.6 15.3	TZ	4563	5907	7429	9127	10998
TAGT4553ZHR-TZ	16.3 17	TZ	5100	6544	8162	9948	11901
TAGT4561ZHR-TZ	17.6 17.7	TZ	5870	7419	9151	11061	13148
TAGT4568ZHR-TZ	20.1 20.5	TZ	6682	8346	10204	12256	14509
TAGT4573ZHR-TZ	21.3 21.3	TZ	7596	9448	11482	13703	16135
TAGT4581ZHR-TZ	23.1 24.4	TZ	8324	10242	12350	14642	17118

* FZ = 220-240V-50Hz TZ = 400V-3PH-50Hz * XC = 220-240V-50Hz TX = 400V-3PH-50Hz

R452A HBP Capacity Data

MODEL	FULL LOAD CURRENT (A)	VOLTAGE CODE*	COOLING CAPACITY IN W EN13215, AMBIENT TEMP. 32°C, SUPERHEATING 10K SUBCOOLING 3K EVAPORATING TEMPERATURE (DEW)				
			-15°C	-10°C	-5°C	0°C	+5°C
			AET4425ZHR-FZ	3	FZ	246	311
AET4430ZHR-FZ	3.1	FZ	301	378	465	563	672
AET4440ZHR-FZ	4.1	FZ	412	516	634	768	917
AET4450ZHR-FZ	5.5	FZ	521	643	779	929	1093
AET4460ZHR-FZ	6.5	FZ	689	848	1028	1233	1464
AET4470ZHR-FZ	5.9	FZ	803	986	1191	1420	1677
CAJN9480ZMHR-FZ	6.9	FZ / TZ	837	1044	1278	1538	1826
TAJN9480ZMHR-TZ	3.2 3.1	FZ / TZ	774	990	1247	1551	1913
CAJN9510ZMHR-FZ	8.6	FZ / TZ	1010	1249	1515	1809	2133
TAJN9510ZMHR-TZ	3.2 3.2	FZ / TZ	1017	1255	1520	1812	2134
CAJN9513ZMHR-FZ	11.5	FZ / TZ	1216	1511	1832	2177	2544
TAJN9513ZMHR-TZ	4.1 4.1	FZ / TZ	1168	1452	1762	2099	2463
CAJN4517ZHR-FZ	13.5	FZ / TZ	1554	1926	2344	2812	3333
TAJN4517ZHR-TZ	4.4 4.7	FZ / TZ	1542	1938	2380	2870	3412
CAJN4519ZHR-FZ	16	FZ / TZ	1929	2400	2916	3479	4091
TAJN4519ZHR-TZ	5.6 5.5	FZ / TZ	1932	2382	2875	3412	3995
FHT4522ZHR-XC	14.4	XC	2003	2560	3171	3830	4527
FHT4522ZHR-XG	5.8	XG	1905	2458	3072	3741	4454
FHT4524ZHR-XC	17.2	XC	2163	2764	3430	4161	4960
FHT4524ZHR-XG	7.8	XG	2073	2674	3345	4086	4896
FHT4532ZHR-XC	21.9	XC	2648	3396	4218	5114	6084
FHT4532ZHR-XG	7.8	XG	2628	3334	4112	4963	5889
FHT4538ZHR-XC	27	XC	3348	4235	5216	6295	7479
FHT4538ZHR-XG	9.7	XG	3453	4344	5326	6402	7579
TAGT4546ZHR-TZ	15.6 15.3	TZ	4340	5719	7277	9012	10929
TAGT4553ZHR-TZ	16.3 17.0	TZ	4925	6431	8112	9968	12000
TAGT4561ZHR-TZ	17.6 17.7	TZ	5652	7281	9087	11068	13234
TAGT4568ZHR-TZ	20.1 20.5	TZ	6502	8238	10165	12293	14647
TAGT4573ZHR-TZ	21.3 21.3	TZ	7337	9283	11429	13780	16363
TAGT4581ZHR-TZ	23.1 24.4	TZ	7712	9655	11790	14116	16645

* FZ = 220-240V-50Hz TZ = 400V-3PH-50Hz * XC = 220-240V-50Hz TX = 400V-3PH-50Hz

R449A HBP Capacity Data

MODEL	FULL LOAD CURRENT (A)	VOLTAGE CODE*	COOLING CAPACITY IN W EN13215, AMBIENT TEMP. 32°C, SUPERHEATING 10K SUBCOOLING 3K EVAPORATING TEMPERATURE (DEW)				
			-15°C	-10°C	-5°C	0°C	+5°C
			AET4425ZHR-FZ	3	FZ	229	293
AET4430ZHR-FZ	3.1	FZ	281	357	445	543	654
AET4440ZHR-FZ	4.1	FZ	379	484	604	740	895
AET4450ZHR-FZ	5.5	FZ	486	613	754	912	1085
AET4460ZHR-FZ	6.5	FZ	634	792	974	1182	1417
AET4470ZHR-FZ	5.9	FZ	745	929	1136	1370	1632
CAJN9480ZMHR-FZ	6.9	FZ / TZ	779	986	1222	1488	1785
TAJN9480ZMHR-TZ	3.2 3.1	FZ / TZ	789	1003	1247	1523	1834
CAJN9510ZMHR-FZ	8.6	FZ / TZ	944	1186	1458	1764	2105
TAJN9510ZMHR-TZ	3.2 3.2	FZ / TZ	950	1192	1464	1769	2109
CAJN9513ZMHR-FZ	11.5	FZ / TZ	1147	1445	1774	2135	2530
TAJN9513ZMHR-TZ	4.1 4.1	FZ / TZ	1087	1376	1698	2055	2450
CAJN4517ZHR-FZ	13.5	FZ / TZ	1443	1814	2236	2711	3247
TAJN4517ZHR-TZ	4.4 4.7	FZ / TZ	1427	1822	2266	2763	3319
CAJN4519ZHR-FZ	16	FZ / TZ	1794	2268	2793	3374	4015
TAJN4519ZHR-TZ	5.6 5.5	FZ / TZ	1797	2252	2758	3315	3929
FHT4522ZHR-XC	14.4	XC	1981	2570	3235	3976	4791
FHT4522ZHR-XG	5.8	XG	1883	2468	3136	3887	4720
FHT4524ZHR-XC	17.2	XC	2141	2778	3500	4312	5217
FHT4524ZHR-XG	7.8	XG	2049	2683	3408	4229	5147
FHT4532ZHR-XC	21.9	XC	2592	3385	4285	5295	6413
FHT4532ZHR-XG	7.8	XG	2592	3342	4192	5144	6202
FHT4538ZHR-XC	27	XC	3314	4251	5310	6501	7832
FHT4538ZHR-XG	9.7	XG	3410	4370	5450	6656	7996
TAGT4546ZHR-TZ	15.6 15.3	TZ	3825	5133	6663	8420	10401
TAGT4553ZHR-TZ	16.3 17.0	TZ	4306	5730	7379	9256	11354
TAGT4561ZHR-TZ	17.6 17.7	TZ	5130	6643	8364	10300	12461
TAGT4568ZHR-TZ	20.1 20.5	TZ	5874	7530	9417	11554	13960
TAGT4573ZHR-TZ	21.3 21.3	TZ	6540	8398	10526	12932	15617
TAGT4581ZHR-TZ	23.1 24.4	TZ	7121	9079	11285	13747	16468

* FZ = 220-240V-50Hz TZ = 400V-3PH-50Hz * XC = 220-240V-50Hz TX = 400V-3PH-50Hz

Tecumseh Condensing Unit Performance Data



R404A LBP Capacity Data

MODEL	FULL LOAD CURRENT (A)	VOLTAGE CODE*	COOLING CAPACITY IN W EN13215, AMBIENT TEMP. 32°C, SUPERHEATING 10K SUBCOOLING 3K EVAPORATING TEMPERATURE (DEW)				
			-30°C	-25°C	-20°C	-15°C	-10°C
			AET2415ZBR-FZ	3.2	FZ	208	263
AET2420ZBR-FZ	4.6	FZ	271	347	432	526	628
AET2425ZBR-FZ	4.6	FZ	359	456	565	685	817
CAJN2428ZBR-FZ	5.7	FZ	339	442	561	694	844
CAJN2432ZBR-FZ	6	FZ	415	536	673	824	991
CAJN2440ZBR-FZ	5.8	FZ	577	756	962	1194	1453
CAJN2446ZBR-FZ	8.4	FZ	707	907	1129	1370	1629
TAJN2446ZBR-TZ	3.3 3.6	TZ	675	868	1083	1320	1575
CAJN2464ZBR-FZ	10.8	FZ	881	1109	1361	1634	1924
TAJN2464ZBR-TZ	4 4.2	TZ	875	1101	1349	1614	1893
FHT2480ZBR-XC	12.4	XC	1591	2084	2647	3281	3987
FHT2480ZBR-XG	7	XG	1484	1935	2443	3011	3649
FHT2511ZBR-XC	24.4	XC	2168	2838	3578	4397	5319
FHT2511ZBR-XG	8.7	XG	2010	2647	3359	4148	5022
TAGT2513ZBR-TZ	9.3 9.7	TZ	2092	2810	3632	4550	5553
TAGT2516ZBR-TZ	10.2 10.3	TZ	2681	3582	4605	5746	7005
TAGT2522ZBR-TZ	14.2 14.6	TZ	3306	4353	5542	6872	8343
TAGT2525ZBR-TZ	14.1 14.1	TZ	3589	4676	5888	7220	8671

* FZ = 220-240V-50Hz TZ = 400V-3PH-50Hz * XC = 220-240V-50Hz TX = 400V-3PH-50Hz

R452A LBP Capacity Data



MODEL	FULL LOAD CURRENT (A)	VOLTAGE CODE*	COOLING CAPACITY IN W EN13215, AMBIENT TEMP. 32°C, SUPERHEATING 10K SUBCOOLING 3K EVAPORATING TEMPERATURE (DEW)				
			-30°C	-25°C	-20°C	-15°C	-10°C
			AET2415ZBR-FZ	3.2	FZ	197	253
AET2420ZBR-FZ	4.6	FZ	252	327	412	509	616
AET2425ZBR-FZ	4.6	FZ	333	430	540	664	801
CAJN2428ZBR-FZ	5.7	FZ	314	415	533	669	824
CAJN2432ZBR-FZ	6	FZ	377	495	632	787	962
CAJN2440ZBR-FZ	5.8	FZ	535	711	915	1149	1415
CAJN2446ZBR-FZ	8.4	FZ	656	852	1074	1320	1590
TAJN2446ZBR-TZ	3.3 3.6	TZ	626	815	1030	1271	1538
CAJN2464ZBR-FZ	10.8	FZ	820	1048	1304	1588	1902
TAJN2464ZBR-TZ	4 4.2	TZ	815	1040	1292	1569	1871
FHT2480ZBR-XC	12.4	XC	1260	1646	2086	2600	3204
FHT2480ZBR-XG	7	XG	1284	1714	2202	2752	3374
FHT2511ZBR-XC	24.4	XC	1858	2504	3229	4037	4943
FHT2511ZBR-XG	8.7	XG	1722	2335	3028	3802	4662
TAGT2513ZBR-TZ	9.3 9.7	TZ	1992	2758	3628	4596	5667
TAGT2516ZBR-TZ	10.2 10.3	TZ	2357	3214	4191	5294	6535
TAGT2522ZBR-TZ	14.2 14.6	TZ	3046	4077	5260	6603	8125
TAGT2525ZBR-TZ	14.1 14.1	TZ	3357	4448	5673	7039	8562

* FZ = 220-240V-50Hz TZ = 400V-3PH-50Hz * XC = 220-240V-50Hz TX = 400V-3PH-50Hz



Tecumseh



Tecumseh/L'Unite Hermetique Condensing Unit Spares

Replacement Fan Motors for Original L'Unite Hermetique Condensing Units

(see below for specific models)



CODE	PART NO	DESIGNATION	TO SUIT
JS700	8668733	1ph 240V	AEZ9440ZMHR, CAE9540ZMHR, CAE9460ZMHR, CAE4448YHR CAJ4452YHR, CAJ4461YHR, CAJ2428ZBR, CAJ2432ZBR
JS701	8668734	1ph 240V	CAE9470ZMHR, CAJ9480ZMHR, T/CAJ9510ZMHR, T/CAJ9513ZMHR CAJ4476YHR, CAJ4492YHR, T/CAJ4511YHR, T/CAJ2446ZBR, T/CAJ2464ZBR.
JS702	8668594	1ph 240V	T/CAJ4517ZHR, T/CAJ4519ZHR, T/FH4524ZHR, T/FH4531ZHR, T/FH4540ZHR, T/FH4518YHR, T/FH4525YHR, T/FH2480ZBR, T/FH2511ZBR, TAG2516ZBR/, TAG2522ZBR.



Replacement Fan Motor for the Tecumseh AJ2 Silence Condensing Units

(see below for specific models)

CODE	PART NO	DESIGNATION	TO SUIT
JS760	8551136	250MM EC FAN 230V 50/60HZ	CAJN4452YHR/ CAJN4461YHR/ TAJN4461YHR/ CAJN2432ZBR/ CAJN2428ZBR/ TAJN2428ZBR/ CAJN2440ZBR
JS761	8551137	300MM EC FAN 230V 50/60HZ	CAJN4476YHR/ CAJN4492YHR/ CAJN4511YHR/ TAJN4492YHR/ TAJN4511YHR/ CAJN2446ZBR/ TAJN2446ZBR/ CAJN2464ZBR/ TAJN2464ZBR/ CAJN9480ZMHR/ TAJN9480ZMHR/ CAJN9510ZMHR/ TAJN9510ZMHR/ CAJN9513ZMHR/ TAJN9513ZMHR
JS762	8551135	350MM EC FAN 230V 50/60HZ	CAJN4517ZHR/ TAJN4517ZHR/ CAJN4519ZHR/ TAJN4519ZHR

Replacement Condenser for New AJ2 Condensing Units

(see below for specific models)

CODE	PART NO	DESIGNATION	TO SUIT
JS765	8338285	AJ Condenser M350/8200	CAJN4517ZHR/ TAJN4517ZHR/ CAJN4519ZHR/ TAJN4519ZHR
JS767	8338283	AJ Condenser M250/2050	CAJN4452YHR/ CAJN4461YHR/ TAJN4461YHR/ CAJN2432ZBR/ CAJN2428ZBR/ TAJN2428ZBR/ CAJN2440ZBR
JS769	8338284	AJ Condenser M300/3900	CAJN4476YHR/ CAJN4492YHR/ CAJN4511YHR/ TAJN4492YHR/ TAJN4511YHR/ CAJN2446ZBR/ TAJN2446ZBR/ CAJN2464ZBR/ TAJN2464ZBR/ CAJN9480ZMHR/ TAJN9480ZMHR/ CAJN9510ZMHR/ TAJN9510ZMHR/ CAJN9513ZMHR/ TAJN9513ZMHR



Tecumseh



SILENSYS® ADVANCED

Safe by design



-  Compliant
-  Long Term
-  Risk-free
-  Reliable
-  Simple



R-1234yf

R-455A

R-454C

sales.eu@tecumseh.com - www.tecumseh.com

Cooling for a Better Tomorrow™

Find out more,
consult our
selection software:



Tecumseh WINTSYS® Condensing Units

1PH - HBP R404A/R452A/R449A*

CODE	MODEL	APPROX HP	DISP. C.C.
J7040	WINAE4450Z	3/8	13.24
J7041	WINAE4460Z	1/2	15.09
J7043	WINAE4470Z	5/8	13.30
J7044	WINAJ9480Z	5/8	15.20
J7046	WINAJ9510Z	3/4	18.30
J7048	WINAJ9513Z	1	24.20
J7050	WINAJ4517Z	1-1/4	25.95
J7052	WINAJ4519Z	1-1/2	34.45
J7054	WINFH4524ZXC	2	43.30
J7056	WINFH4532ZXC	2-1/2	50.60
J7058	WINFH4538ZXC	3	63.00

*R452A/R449A selections, refer to Tecumseh Guidelines

3PH - HBP R404A/R452A/R449A*

CODE	MODEL	APPROX HP	DISP. C.C.
J7060	WINFH4524ZXG	2	43.30
J7062	WINFH4532ZXG	2-1/2	50.60
J7064	WINFH4538ZXG	3	63.00

*R452A/R449A selections, refer to Tecumseh Guidelines

1PH - HBP R134a

CODE	MODEL	APPROX HP	DISP. C.C.
J7068	WINAE4450Y	3/8	13.24
J7070	WINAE4460Y	1/2	15.09
J7072	WINAJ4476Y	5/8	21.75
J7074	WINAJ4492Y	3/4	25.95
J7076	WINAJ4511Y	1	32.70
J7077	WINAJ4513Y	1-1/4	34.45
J7078	WINFH4518YXC	1-1/2	48.50
J7080	WINFH4525YXC	2	63.00

3PH - HBP R134a

CODE	MODEL	APPROX HP	DISP. C.C.
J7083	WINAJ4518TZ	1-1/2	53.20
J7085	WINAJ4525YTZ	2.0	74.25

1PH - LBP R404A/R452A*

CODE	MODEL	APPROX HP	DISP. C.C.
J7088	WINAE2425Z	1/2	12.01
J7090	WINAJ2440Z	5/8	21.00
J7092	WINAJ2446Z	3/4	26.15
J7094	WINAJ2464Z	1-1/2	34.45
J7045	WINFH2480ZXC	2	54.30
J7047	WINFH2511ZXC	2-1/2	74.25

*R452A elections, refer to Tecumseh Guidelines

3PH - LBP R404A/R452A*

CODE	MODEL	APPROX HP	DISP. C.C.
J7098	WINFH2480ZXG	2	54.30
J7099	WINFH2511ZXG	2-1/2	68.00

*R452A selections, refer to Tecumseh Guidelines



**READY-TO-INSTALL
OUTDOOR CONDENSING UNIT FOR
MEDIUM AND LOW TEMPERATURE
APPLICATIONS**

- PRE-WIRED ELECTRICAL BOX
- CRANKCASE HEATER
- ISOLATOR SWITCH
- CONTACTOR
- HIGH/LOW PRESSURE WITH AUTO/MANUAL RESET SWITCH
- DIN RAIL LENGTH INCREASED



Tecumseh WINTSYS® Condensing Unit Data



MODEL	DIMENSIONS MM			CONNECTIONS		Sound Power	Net Weight, Kg	Horse Power
	LENGTH	WIDTH	HEIGHT	SUCTION	LIQUID			
WINAE4450Y-FZ	942.00	654.00	710.00	3/8"	1/4"	59	53.00	1/2
WINAE4460Y-FZ	942.00	654.00	710.00	3/8"	1/4"	59	53.00	1/2
WINAJ4476Y-FZ	942.00	654.00	710.00	1/2"	3/8"	59	62.00	3/4
WINAJ4492Y-FZ	942.00	654.00	710.00	1/2"	3/8"	58	62.00	3/4
WINAJ4511Y-FZ	942.00	654.00	710.00	5/8"	3/8"	60	63.00	1
WINAJ4513Y-FZ	942.00	654.00	710.00	5/8"	3/8"	59	63.00	1
WINFH4518Y-FZ	1174.00	654.00	710.00	5/8"	3/8"	67	75.00	1-1/2
WINFH4525Y-FZ	1174.00	654.00	710.00	5/8"	3/8"	72	77.00	2
WINAE4450Z-FZ	942.00	654.00	710.00	3/8"	1/4"	58	53.00	1/2
WINAE4460Z-FZ	942.00	654.00	710.00	3/8"	1/4"	59	53.00	1/2
WINAE4470Z-FZ	942.00	654.00	710.00	3/8"	1/4"	60	53.00	1/2
WINAJ9480Z-FZ	942.00	654.00	710.00	1/2"	3/8"	61	62.00	1
WINAJ9510Z-FZ	942.00	654.00	710.00	5/8"	3/8"	61	63.00	1-1/4
WINAJ9513Z-FZ	942.00	654.00	710.00	5/8"	3/8"	61	65.00	1-3/4
WINAJ4517Z-FZ	942.00	654.00	710.00	5/8"	3/8"	61	65.00	1-1/2
WINAJ4519Z-FZ	942.00	654.00	710.00	5/8"	3/8"	63	65.00	1-1/2
WINFH4524Z-FZ	1174.00	654.00	710.00	5/8"	1/2"	72	79.00	2
WINFH4531Z-FZ	1174.00	654.00	710.00	7/8"	1/2"	73	83.00	2-1/2
WINFH4538Z-XC	1174.00	654.00	710.00	7/8"	1/2"	73	80.00	3-1/2
WINAE2425Z-FZ	942.00	654.00	710.00	3/8"	1/4"	57	53.00	1/2
WINAJ2440Z-FZ	942.00	654.00	710.00	1/2"	1/4"	58	61.00	1
WINAJ2446Z-FZ	942.00	654.00	710.00	1/2"	3/8"	58	63.00	1-1/4
WINAJ2464Z-FZ	942.00	654.00	710.00	5/8"	3/8"	59	65.00	1-1/2
WINFH2480Z-FZ	1174.00	654.00	710.00	5/8"	1/2"	70	74.00	2
WINFH2511Z-FZ	1174.00	654.00	710.00	5/8"	1/2"	71	82.00	2-1/2



Tecumseh WINTSYS® Condensing Unit Performance Data

R134a - HBP Capacity Data

MODEL	FULL LOAD CURRENT (A)	VOLTAGE CODE*	COOLING CAPACITY IN W EN13215, AMBIENT TEMP. 32°C, SUPERHEATING 10K SUBCOOLING 3K EVAPORATING TEMPERATURE (DEW)						
			-15°C	-10°C	-5°C	0°C	+5°C	+10°C	+15°C
			WINAE4450Y-FZ	5.1	FZ	571	730	918	1138
WINAE4460Y-FZ	5	FZ	642	823	1035	1283	1569	1896	2266
WINAJ4476Y-FZ	8.3	FZ	740	975	1250	1571	1943	2369	2856
WINAJ4492Y-FZ	9.4	FZ	947	1235	1571	1960	2404	2908	3474
WINAJ4511Y-FZ	9.1	FZ	1220	1568	1967	2418	2924	3486	4105
WINAJ4513Y-FZ	10.4	FZ	1307	1691	2136	2648	3231	3893	4641
WINFH4518Y-FZ	11.9	FZ	1530	2074	2712	3453	4307	5284	6397
WINFH4518Y-TZ	4.9 5.3	TZ	1548	2091	2730	3473	4330	5308	6421
WINFH4525Y-FZ	15.9	FZ	2262	2963	3768	4685	5718	6875	8166
WINFH4525Y-TZ	7.4 8	TZ	2190	2848	3616	4504	5523	6686	8012

* FZ = 220-240V-50Hz TZ = 400V-3PH-50Hz * XC = 220-240V-50Hz XG = 400V-3PH-50Hz

Tecumseh WINTSYS® Condensing Unit

Performance Data

R404A - HBP Capacity Data



MODEL	FULL LOAD CURRENT (A)	VOLTAGE CODE*	COOLING CAPACITY IN W				
			EN13215, AMBIENT TEMP. 32°C, SUPERHEATING 10K SUBCOOLING 3K EVAPORATING TEMPERATURE (DEW)				
			-15°C	-10°C	-5°C	0°C	+5°C
WINAE4450Z-FZ	5.6	FZ	627	790	980	1199	1450
WINAE4460Z-FZ	6.4	FZ	762	942	1152	1394	1673
WINAE4470Z-FZ	7.6	FZ	888	1096	1334	1605	1912
WINAJ9480Z-FZ	7.3	FZ	1014	1266	1556	1888	2265
WINAJ9510Z-FZ	8.9	FZ	1248	1549	1894	2286	2730
WINAJ9513Z-FZ	11.8	FZ	1548	1938	2382	2881	3440
WINAJ4517Z-FZ	13.2	FZ	1671	2066	2512	3012	3575
WINAJ4519Z-FZ	15.5	FZ	2068	2562	3108	3719	4408
WINFH4524Z-XC	16.3	XC	2427	3075	3812	4646	5589
WINFH4524Z-XG	8.4 8.6	XG	2397	3064	3817	4658	5593
WINFH4532Z-XC	21.9	XC	2976	3742	4597	5548	6604
WINFH4532Z-XG	7.8	XG	2974	3713	4545	5481	6534
WINFH4538Z-XC	27.0	XC	3812	4734	5748	6847	8024
WINFH4538Z-XG	9.7	XG	3774	4704	5724	6828	8007
WINFH4544Z-XG	12,6	XG	4290	5329	6459	7675	8978

* FZ = 220-240V-50Hz TZ = 400V-3PH-50Hz * XC = 220-240V-50Hz XG = 400V-3PH-50Hz

R452A - HBP Capacity Data

MODEL	FULL LOAD CURRENT (A)	VOLTAGE CODE*	COOLING CAPACITY IN W				
			EN13215, AMBIENT TEMP. 32°C, SUPERHEATING 10K SUBCOOLING 3K EVAPORATING TEMPERATURE (DEW)				
			-15°C	-10°C	-5°C	0°C	+5°C
WINAE4450Z-FZ	5.6	FZ	598	760	948	1167	1419
WINAE4460Z-FZ	6.4	FZ	728	907	1117	1359	1639
WINAE4470Z-FZ	7.6	FZ	846	1055	1293	1564	1873
WINAJ9480Z-FZ	7.3	FZ	966	1216	1506	1839	2219
WINAJ9510Z-FZ	8.9	FZ	1190	1489	1834	2229	2677
WINAJ9513Z-FZ	11.8	FZ	1475	1862	2306	2808	3373
WINAJ4517Z-FZ	13.2	FZ	1594	1989	2436	2942	3514
WINAJ4519Z-FZ	15.5	FZ	1973	2467	3019	3639	4342
WINFH4524Z-XC	16.3	XC	2154	2773	3473	4267	5167
WINFH4524Z-XG	7	XG	2074	2691	3394	4191	5096
WINFH4532Z-XC	21.9	XC	2760	3540	4417	5398	6495
WINFH4532Z-XG	7.8	XG	2668	3375	4168	5059	6065
WINFH4538Z-XC	27	XC	3731	4387	5321	6460	7732
WINFH4538Z-XG	9.7	XG	3760	4591	5522	6555	7694

* FZ = 220-240V-50Hz TZ = 400V-3PH-50Hz * XC = 220-240V-50Hz XG = 400V-3PH-50Hz

*R452A/R449A selections, refer to Tecumseh Guidelines

R449A - HBP Capacity Data

MODEL	FULL LOAD CURRENT (A)	VOLTAGE CODE*	COOLING CAPACITY IN W				
			EN13215, AMBIENT TEMP. 32°C, SUPERHEATING 10K SUBCOOLING 3K EVAPORATING TEMPERATURE (DEW)				
			-15°C	-10°C	-5°C	0°C	+5°C
WINAE4450Z-FZ	5.6	FZ	554	712	896	1110	1357
WINAE4460Z-FZ	6.4	FZ	675	852	1057	1295	1571
WINAE4470Z-FZ	7.6	FZ	788	992	1227	1496	1802
WINAJ9480Z-FZ	7.3	FZ	893	1138	1422	1751	2127
WINAJ9510Z-FZ	8.9	FZ	1102	1396	1736	2128	2575
WINAJ9513Z-FZ	11.8	FZ	1361	1742	2181	2681	3248
WINAJ4517Z-FZ	13.2	FZ	1478	1870	2317	2826	3405
WINAJ4519Z-FZ	15.5	FZ	1833	2328	2885	3515	4234
WINFH4524Z-XC	16.3	XC	2127	2769	3505	4347	5309
WINFH4524Z-XG	7	XG	2046	2686	3424	4271	5243
WINFH4532Z-XC	21.9	XC	2691	3502	4433	5493	6695
WINFH4532Z-XG	7.8	XG	2648	3391	4236	5195	6285
WINFH4538Z-XC	27	XC	3461	4450	5521	6698	8002
WINFH4538Z-XG	9.7	XG	3332	4344	5449	6648	7942
WINFH4544Z-XG	12,6	TX	3827	4916	6124	7456	8913

* FZ = 220-240V-50Hz TZ = 400V-3PH-50Hz * XC = 220-240V-50Hz XG = 400V-3PH-50Hz

*R452A/R449A selections, refer to Tecumseh Guidelines

Tecumseh WINTSYS® Condensing Unit

Performance Data

R404A - LBP Capacity Data



MODEL	FULL LOAD CURRENT (A)	VOLTAGE CODE*	COOLING CAPACITY IN W EN13215, AMBIENT TEMP. 32°C, SUPERHEATING 10K SUBCOOLING 3K EVAPORATING TEMPERATURE (DEW)				
			-30°C	-25°C	-20°C	-15°C	-10°C
WINAE2425Z-FZ	4.5	FZ	412	540	690	867	1071
WINAJ2440Z-FZ	6.2	FZ	595	787	1013	1277	1582
WINAJ2446Z-FZ	8.7	FZ	768	999	1270	1586	1951
WINAJ2464Z-FZ	10.9	FZ	1033	1337	1688	2087	2532
WINFH2480Z-FZ	16.7	FZ	1447	1893	2397	2962	3597
WINFH2480Z-TZ	7.0 / 7.1	TZ	1429	1851	2324	2853	3441
WINFH2511Z-FZ	24.7	FZ	1860	2453	3131	3900	4762
WINFH2511Z-TZ	7.9 / 7.9	TZ	1882	2489	3190	3989	4889

* FZ = 220-240V-50Hz TZ = 400V-3PH-50Hz * XC = 220-240V-50Hz XG = 400V-3PH-50Hz



R452A - LBP Capacity Data

MODEL	FULL LOAD CURRENT (A)	VOLTAGE CODE*	COOLING CAPACITY IN W EN13215, AMBIENT TEMP. 32°C, SUPERHEATING 10K SUBCOOLING 3K EVAPORATING TEMPERATURE (DEW)				
			-30°C	-25°C	-20°C	-15°C	-10°C
WINAE2425Z-FZ	4.5	FZ	382	506	655	829	1034
WINAJ2440Z-FZ	6.2	FZ	558	752	982	1252	1567
WINAJ2446Z-FZ	8.7	FZ	713	938	1205	1520	1891
WINAJ2464Z-FZ	10.9	FZ	960	1255	1601	2000	2454
WINFH2480Z-FZ	16.7	FZ	1327	1775	2282	2855	3504
WINFH2480Z-TZ	7.0 7.1	TZ	1311	1739	2221	2761	3368
WINFH2511Z-FZ	24.7	FZ	1725	2302	2975	3750	4638
WINFH2511Z-TZ	7.9 7.9	TZ	1743	2331	3023	3826	4749

* FZ = 220-240V-50Hz TZ = 400V-3PH-50Hz * XC = 220-240V-50Hz XG = 400V-3PH-50Hz

*R452A/R449A selections, refer to Tecumseh Guidelines

FSW

Where you need us
When you need us

FSW Offer a wide range of Tecumseh® compressors, and standard Tecumseh® condensing units.

WINTSYS® Housed condensing units.

SILENSYS® Low noise housed and dressed condensing units.

We also stock a wide range of Tecumseh® spare parts for both compressors and condensing units.

27 Branches across the UK & Ireland



Tecumseh SILENSYS® Low Noise Housed Condensing Units

The SILENSYS® housed units are specifically designed for areas requiring very low noise levels. They come complete with a low noise housing and electrical section fitted with all the electrical components; including, fan speed control and contactor. The units are also fitted with liquid receiver, liquid line drier, sight glass and adjustable HP and LP switches.



1PH - LBP R404A/R452A*

CODE	MODEL	APPROX HP	dB(A)
J1108	SILAJ2432ZFZ	5/8	57
J1109	SILAJ2440ZFZ	5/8	57
J1110	SILAJ2446ZFZ	3/4	57
J1112	SILAJ2464ZFZ	1-1/2	58
J1114	SILFH2480ZXC	2	66
J1116	SILFH2511ZXC	3	74

*R452A selections, refer to Tecumseh Guidelines



3PH - LBP R404A/R452A*

CODE	MODEL	APPROX HP	dB(A)
J1111	SILAJ2446ZTZ	3/4	57
J1113	SILAJ2464ZTZ	1-1/2	58
J1115	SILFH2480ZXG	2	66
J1117	SILFH2511ZXG	2-1/2	74
J1128	SILAG2516ZTZ	4	69
J1129	SILAG2522ZTZ	5	71
J1135	SILAGD2532ZTZ	8	74
J1136	SILAGD2544ZTZ	10	74

*R452A/R449A selections, refer to Tecumseh Guidelines



1PH - HBP R404A /R452A/R449A*

CODE	MODEL	APPROX HP	dB(A)
J1102	SILAJ9480ZFZ	7/8	59
J1104	SILAJ9510ZFZ	1	57
J1106	SILAJ9513ZFZ	1-1/8	57
J1118	SILAJ4517ZFZ	1-1/4	58
J1120	SILAJ4519ZFZ	1-1/2	59
J1162	SILFH4524ZXC	2	65
J1124	SILFH4532ZXC	2-1/2	66
J1126	SILFH4538ZXC	3	67

*R452A/R449A selections, refer to Tecumseh Guidelines



3PH - HBP R404A/R452A/R449A*

CODE	MODEL	APPROX HP	dB(A)
J1103	SILAJ9480ZTZ	7/8	59
J1105	SILAJ9510ZTZ	1	57
J1107	SILAJ9513ZTZ	1-1/8	57
J1130	SILAG4546ZTZ	1	77
J1131	SILAG4553ZTZ	1-1/4	79
J1132	SILAG4561ZTZ	1/1/2	78
J1133	SILAG4568ZTZ	2	74
J1134	SILAG4573ZTZ	2-1/2	73
J1137	SILAGD4590ZTZ	3	78
J1138	SILAGD4610ZTZ	4	79
J1139	SILAGD4612ZTZ	4-1/2	76
J1140	SILAGD4614ZTZ	5	51
J1119	SILAJ4517ZTZ	1-1/4	58
J1121	SILAJ4519ZTZ	1-1/2	59
J1123	SILFH4524ZXG	2	65
J1125	SILFH4532ZXG	2-1/2	66
J1127	SILFH4538ZXG	3	67

*R452A/R449A selections, refer to Tecumseh Guidelines

Presentation of the acoustic values in maximum ventilation speed in free field according to the reference point of standard EN13215. We comply with the acoustic standard EN ISO 3743-1

Tecumseh SILENSYS® Low Noise Housed Condensing Units

1PH - HBP R134a

CODE	MODEL	APPROX HP	dB(A)
J1143	SILAJ4461YFZ	1/2	57
J1145	SILAJ4476YFZ	5/8	57
J1146	SILAJ4492YFZ	3/4	57
J1148	SILAJ4511YFZ	1	58
J1150	SILFH4518YXC	1-1/2	65
J1152	SILFH4525YXC	2	65



Tecumseh



Presentation of the acoustic values in maximum ventilation speed in free field according to the reference point of standard EN13215. We comply with the acoustic standard EN ISO 3743-1

3PH - HBP R134a

CODE	MODEL	APPROX HP	dB(A)
J1144	SILAJ4461YFZ	3/4	57
J1147	SILAJ4492YFZ	3/4	57
J1149	SILAJ4511YFZ	1	58
J1151	SILFH4518YXC	1-1/2	65
J1153	SILFH4525YXC	2	65
J1154	SILAG4528YFZ	2-1/4	70
J1155	SILAGD4534YFZ	2-3/4	68
J1156	SILAGD4537YFZ	3-1/4	68
J1157	SILAG4543YFZ	3-1/2	69



MODEL	DIMENSIONS MM			CONNECTIONS		Horse Power	Sound Power	Net Weight, kg
	LENGTH	HEIGHT	WIDTH	SUCTION	LIQUID			
SILAJ4461Y-FZ	942.00	654	837	1/2"	1/4"	1/2	57	68
SILAJ4476Y-FZ	942.00	654	837	1/2"	3/8"	3/4	57	70
SILAJ4492Y-FZ	942.00	654	837	1/2"	3/8"	3/4	57	70
SILAJ4511Y-FZ	942.00	654	837	5/8"	3/8"	1	58	72
SILFH4518Y-XC	1174.00	654	837	5/8"	3/8"	1-1/2	65	64
SILFH4525Y-XC	1174.00	654	837	5/8"	3/8"	2	65	66
SILAG4528Y-TZ	1174.00	654	837	7/8"	1/2"	2-1/2	70	102
SILAG4534Y-TZ	1174.00	654	837	7/8"	1/2"	3	68	104
SILAG4537Y-TZ	1174.00	654	837	7/8"	1/2"	3	68	104
SILAG4543Y-TZ	1174.00	654	837	7/8"	1/2"	3-1/2	69	107
SILAJ9480Z-FZ	942.00	654	837	1/2"	3/8"	1	59	70
SILAJ9510Z-FZ	942.00	654	837	5/8"	3/8"	1-1/4	57	72
SILAJ9513Z-FZ	942.00	654	837	5/8"	3/8"	1-3/4	57	74
SILAJ4517Z-FZ	942.00	654	837	5/8"	3/8"	1-1/2	58	73
SILAJ4519Z-FZ	942.00	654	837	5/8"	3/8"	1-1/2	59	74
SILFH4524Z-XC	1174.00	654	837	5/8"	3/8"	2	65	69
SILFH4532Z-XC	1174.00	654	837	7/8"	1/2"	2-1/2	66	72
SILFH4538Z-XC	1174.00	654	837	7/8"	1/2"	3-1/2	67	82
SILAG4546Z-TZ	1209.00	654	1465	7/8"	5/8"	4	77	128
SILAG4553Z-TZ	1209.00	654	1465	7/8"	5/8"	4-1/2	79	133
SILAG4561Z-TZ	1209.00	654	1465	1-1/8"	5/8"	5	78	134
SILAG4568Z-TZ	1209.00	654	1465	1-1/8"	5/8"	5-1/2	74	138
SILAG4573Z-TZ	1209.00	654	1465	1-1/8"	5/8"	6	73	139
SILAGD4590Z-TZ	1666.00	654	1465	1-1/8"	5/8"	7-1/2	78	246
SILAGD4610Z-TZ	1666.00	654	1465	1-1/8"	5/8"	8-1/2	78	249
SILAGD4612Z-TZ	1666.00	654	1465	1-3/8"	7/8"	10	79	253
SILAGD4614Z-TZ	1666.00	654	1465	1-3/8"	7/8"	11-1/2	76	256
SILAJ2432Z-FZ	942.00	837	654	1/2"	1/4"	3/4	57	71
SILAJ2440Z-FZ	942.00	837	654	1/2"	1/4"	1	57	70
SILAJ2446Z-FZ	942.00	837	654	1/2"	3/8"	1-1/4	57	72
SILAJ2464Z-FZ	942.00	837	654	5/8"	3/8"	1-1/2	58	74
SILFH2480Z-XC	1174.00	837	654	5/8"	3/8"	2	66	74
SILFH2511Z-XC	1174.00	837	654	5/8"	3/8"	2-1/2	74	71
SILAG2516Z-TZ	1174.00	837	654	7/8"	1/2"	4	69	128
SILAG2522Z-TZ	1174.00	837	654	7/8"	1/2"	5-1/2	71	112
SILAGD2532Z-TZ	1666.00	1465	654	1-1/8"	5/8"	8	74	236
SILAGD2544Z-TZ	1666.00	1465	654	1-1/8"	5/8"	11	74	252



Tecumseh SILENSYS® Condensing Unit

Performance Data



R134a - HBP Capacity Data

MODEL	FULL LOAD CURRENT (A)	VOLTAGE CODE*	COOLING CAPACITY IN W EN13215, AMBIENT TEMP. 32°C, SUPERHEATING 10K SUBCOOLING 3K EVAPORATING TEMPERATURE (DEW)						
			-15°C	-10°C	-5°C	0°C	+5°C	+10°C	+15°C
SILAJ4461Y-FZ	6.1	FZ	633	827	1060	1338	1666	2049	2493
SILAJ4461Y-TZ	2.5 2.9	TZ	664	864	1105	1392	1732	2131	2594
SILAJ4476Y-FZ	7.2	FZ	740	975	1250	1571	1943	2369	2856
SILAJ4492Y-FZ	9.2	FZ	947	1235	1571	1960	2404	2908	3474
SILAJ4492Y-TZ	3.1 3.1	TZ	951	1248	1595	1996	2455	2976	3564
SILAJ4511Y-FZ	8.9	FZ	1220	1568	1967	2418	2924	3486	4105
SILAJ4511Y-TZ	3.9 4.2	TZ	1190	1540	1939	2390	2894	3454	4071
SILFH4518Y-FZ	12	FZ	1530	2074	2712	3453	4307	5284	6397
SILFH4518Y-TZ	5 5.4	TZ	1548	2091	2730	3473	4330	5308	6421
SILFH4525Y-FZ	16	FZ	2262	2963	3768	4685	5718	6875	8166
SILFH4525Y-TZ	7.5 8.1	TZ	2190	2848	3616	4504	5523	6686	8012
SILAG4528Y-TZ	10.8 9.4	TZ	1956	2851	3904	5093	6397	7805	9313
SILAG4534Y-TZ	10.6 11.1	TZ	2693	3705	4910	6282	7792	9413	11117
SILAG4537Y-TZ	10.2 10.7	TZ	3203	4332	5685	7235	8955	10823	12819
SILAG4543Y-TZ	11.5 11.3	TZ	3353	4489	5910	7578	9455	11509	13716

* FZ = 220-240V-50Hz TZ = 400V-3PH-50Hz * XC = 220-240V-50Hz XG = 400V-3PH-50Hz

R404A - HBP Capacity Data



MODEL	FULL LOAD CURRENT (A)	VOLTAGE CODE*	COOLING CAPACITY IN W EN13215, AMBIENT TEMP. 32°C, SUPERHEATING 10K SUBCOOLING 3K EVAPORATING TEMPERATURE (DEW)				
			-15°C	-10°C	-5°C	0°C	+5°C
SILAJ9480Z-FZ	7	FZ	1014	1266	1556	1888	2265
SILAJ9480Z-TZ	3.7 4.3	TZ	1015	1269	1561	1892	2265
SILAJ9510Z-FZ	8.7	FZ	1248	1549	1894	2286	2730
SILAJ9510Z-TZ	4.1 4.6	TZ	1239	1532	1868	2252	2688
SILAJ9513Z-FZ	11.6	FZ	1518	1894	2313	2780	3298
SILAJ9513Z-TZ	4.7 4.8	TZ	1485	1877	2320	2818	3372
SILAJ4517Z-FZ	13	FZ	1671	2066	2512	3012	3575
SILAJ4517Z-TZ	4.7 5.1	TZ	1648	2062	2524	3038	3613
SILAJ4519Z-FZ	15.5	FZ	2068	2562	3108	3719	4408
SILAJ4519Z-TZ	6.5 6.6	TZ	2058	2534	3064	3654	4319
SILFH4524Z-XC	16.3	XC	2427	3075	3812	4646	5589
SILFH4524Z-XG	7	XG	2343	2991	3731	4571	5518
SILFH4532Z-XC	21.9	XC	2976	3742	4597	5548	6604
SILFH4532Z-XG	7.8	XG	2974	3713	4545	5481	6534
SILFH4538Z-XC	27	XC	3890	4825	5855	6981	8211
SILFH4538Z-XG	9.7	XG	3859	4799	5834	6964	8194
SILAG4546Z-TZ	14.9 13.9	TZ	4317	5543	6931	8485	10212
SILAG4553Z-TZ	15.6 15.6	TZ	5097	6499	8087	9866	11845
SILAG4561Z-TZ	16.9 16.3	TZ	5562	6976	8562	10327	12288
SILAG4568Z-TZ	19.4 19.5	TZ	6733	8412	10313	12450	14851
SILAG4573Z-TZ	20.6 19.9	TZ	7177	8900	10831	12980	15363
SILAGD4590Z-TZ	25 26	TZ	8769	11430	14447	17779	21364
SILAGD4610Z-TZ	29 29	TZ	9819	12683	15885	19372	23056
SILAGD4612Z-TZ	32 31	TZ	11025	14037	17368	20949	24673
SILAGD4614Z-TZ	37 36	TZ	12735	16024	19658	23529	27468

* FZ = 220-240V-50Hz TZ = 400V-3PH-50Hz * XC = 220-240V-50Hz XG = 400V-3PH-50Hz

Tecumseh SILENSYS® Condensing Unit

Performance Data



R452A - HBP Capacity Data

MODEL	FULL LOAD CURRENT (A)	VOLTAGE CODE*	COOLING CAPACITY IN W EN13215, AMBIENT TEMP. 32°C, SUPERHEATING 10K SUBCOOLING 3K EVAPORATING TEMPERATURE (DEW)				
			-15°C	-10°C	-5°C	0°C	+5°C
SILAJ9480Z-FZ	7	FZ	966	1216	1506	1839	2219
SILAJ9480Z-TZ	3.7 4.3	TZ	887	1142	1447	1811	2245
SILAJ9510Z-FZ	8.7	FZ	1190	1489	1834	2229	2677
SILAJ9510Z-TZ	4.1 4.6	TZ	1182	1474	1811	2197	2638
SILAJ9513Z-FZ	11.6	FZ	1475	1862	2306	2808	3373
SILAJ9513Z-TZ	4.7 4.8	TZ	1448	1828	2264	2759	3317
SILAJ4517Z-FZ	13	FZ	1594	1989	2436	2942	3514
SILAJ4517Z-TZ	4.7 5.1	TZ	1570	1983	2447	2967	3552
SILAJ4519Z-FZ	15.5	FZ	1973	2467	3019	3639	4342
SILAJ4519Z-TZ	6.5 6.6	TZ	1964	2442	2978	3578	4257
SILFH4524Z-XC	16.3	XC	2154	2773	3473	4267	5167
SILFH4524Z-XG	7	XG	2074	2691	3394	4191	5096
SILFH4532Z-XC	21.9	XC	2760	3540	4417	5398	6495
SILFH4532Z-XG	7.8	XG	2668	3375	4168	5059	6065
SILFH4538Z-XC	27	XC	3468	4367	5360	6449	7638
SILFH4538Z-XG	9.7	XG	3465	4367	5357	6441	7625
SILAG4546Z-TZ	14.9 13.9	TZ	4160	5416	6819	8383	10137
SILAG4553Z-TZ	15.6 15.6	TZ	4877	6334	7955	9754	11761
SILAG4561Z-TZ	16.9 16.3	TZ	5383	6849	8455	10224	12212
SILAG4568Z-TZ	19.4 19.5	TZ	6492	8221	10152	12316	14769
SILAG4573Z-TZ	20.6 19.9	TZ	6937	8705	10673	12858	15305
SILAGD4590Z-TZ	25 26	TZ	8315	10947	13952	17302	20940
SILAGD4610Z-TZ	29 29	TZ	9316	12153	15351	18864	22614
SILAGD4612Z-TZ	32 31	TZ	10476	13472	16811	20435	24247
SILAGD4614Z-TZ	37 36	TZ	12122	15410	19076	23027	27110

* FZ = 220-240V-50Hz TZ = 400V-3PH-50Hz * XC = 220-240V-50Hz XG = 400V-3PH-50Hz

*R452A/R449A selections, refer to Tecumseh Guidelines

R449A - HBP Capacity Data

MODEL	FULL LOAD CURRENT (A)	VOLTAGE CODE*	COOLING CAPACITY IN W EN13215, AMBIENT TEMP. 32°C, SUPERHEATING 10K SUBCOOLING 3K EVAPORATING TEMPERATURE (DEW)				
			-15°C	-10°C	-5°C	0°C	+5°C
SILAJ9480Z-FZ	7	FZ	893	1138	1422	1751	2127
SILAJ9480Z-TZ	3.7 4.3	TZ	895	1142	1429	1758	2134
SILAJ9510Z-FZ	8.7	FZ	1102	1396	1736	2128	2575
SILAJ9510Z-TZ	4.1 4.6	TZ	1095	1383	1717	2101	2542
SILAJ9513Z-FZ	11.6	FZ	1361	1742	2181	2681	3248
SILAJ9513Z-TZ	4.7 4.8	TZ	1335	1708	2138	2630	3189
SILAJ4517Z-FZ	13	FZ	1478	1870	2317	2826	3405
SILAJ4517Z-TZ	4.7 5.1	TZ	1452	1862	2325	2849	3442
SILAJ4519Z-FZ	15.5	FZ	1833	2328	2885	3515	4234
SILAJ4519Z-TZ	6.5 6.6	TZ	1826	2307	2848	3460	4156
SILFH4524Z-XC	16.3	XC	2127	2769	3505	4347	5309
SILFH4524Z-XG	7	XG	2046	2686	3424	4271	5243
SILFH4532Z-XC	21.9	XC	2691	3502	4433	5493	6695
SILFH4532Z-XG	7.8	XG	2648	3391	4236	5195	6285
SILFH4538Z-XC	27	XC	3430	4382	5457	6663	8006
SILFH4538Z-XG	9.7	XG	3412	4382	5472	6690	8039
SILAG4546Z-TZ	14.9 13.9	TZ	3677	4894	6303	7912	9731
SILAG4553Z-TZ	15.6 15.6	TZ	4355	5746	7348	9173	11231
SILAG4561Z-TZ	16.9 16.3	TZ	4844	6294	7936	9784	11857
SILAG4568Z-TZ	19.4 19.5	TZ	5892	7594	9538	11754	14283
SILAG4573Z-TZ	20.6 19.9	TZ	6304	8060	10062	12324	14866
SILAGD4590Z-TZ	25 26	TZ	7623	10188	13148	16492	20183
SILAGD4610Z-TZ	29 29	TZ	8552	11331	14496	18023	21859
SILAGD4612Z-TZ	32 31	TZ	9648	12607	15940	19614	23563
SILAGD4614Z-TZ	37 36	TZ	11214	14497	18211	22297	26653

* FZ = 220-240V-50Hz TZ = 400V-3PH-50Hz * XC = 220-240V-50Hz XG = 400V-3PH-50Hz

*R452A/R449A selections, refer to Tecumseh Guidelines

Tecumseh SILENSYS® Condensing Unit

Performance Data



R404A - LBP Capacity Data

MODEL	FULL LOAD CURRENT (A)	VOLTAGE CODE*	COOLING CAPACITY IN W EN13215, AMBIENT TEMP. 32°C, SUPERHEATING 10K SUBCOOLING 3K EVAPORATING TEMPERATURE (DEW)				
			-30°C	-25°C	-20°C	-15°C	-10°C
SILAJ2432Z-FZ	6.2	FZ	531	714	931	1184	1476
SILAJ2440Z-FZ	6	FZ	611	807	1037	1306	1618
SILAJ2446Z-FZ	8.5	FZ	768	999	1270	1586	1951
SILAJ2446Z-TZ	3.4 3.7	TZ	738	965	1232	1541	1898
SILAJ2464Z-FZ	10.9	FZ	1033	1337	1688	2087	2532
SILAJ2464Z-TZ	4.1 4.3	TZ	1046	1351	1703	2102	2550
SILFH2480Z-XC	12.5	XC	1624	2143	2744	3441	4253
SILFH2480Z-XG	6.7	XG	1526	2021	2595	3257	4016
SILFH2511Z-XC	8.7	XC	2201	2926	3763	4711	5770
SILFH2511Z-XG	24.4	XG	2083	2774	3580	4504	5548
SILAG2516Z-TZ	10.3 10.2	TZ	2535	3409	4400	5498	6690
SILAG2522Z-TZ	14.2 14.6	TZ	3275	4295	5454	6749	8180
SILAGD2532Z-TZ	22 23	TZ	5096	7003	9220	11715	14422
SILAGD2544Z-TZ	28 29	TZ	6328	8453	10905	13620	16485

* FZ = 220-240V-50Hz TZ = 400V-3PH-50Hz * XC = 220-240V-50Hz XG = 400V-3PH-50Hz

R452A - LBP Capacity Data



MODEL	FULL LOAD CURRENT (A)	VOLTAGE CODE*	COOLING CAPACITY IN W EN13215, AMBIENT TEMP. 32°C, SUPERHEATING 10K SUBCOOLING 3K EVAPORATING TEMPERATURE (DEW)				
			-30°C	-25°C	-20°C	-15°C	-10°C
SILAJ2432Z-FZ	6.2	FZ	466	646	864	1121	1419
SILAJ2440Z-FZ	6	FZ	558	752	982	1252	1567
SILAJ2446Z-FZ	8.5	FZ	713	938	1205	1520	1891
SILAJ2446Z-TZ	3.4 3.7	TZ	685	905	1168	1477	1839
SILAJ2464Z-FZ	10.9	FZ	960	1255	1601	2000	2454
SILAJ2464Z-TZ	4.1 4.3	TZ	971	1267	1613	2013	2469
SILFH2480Z-XC	12.5	XC	1398	1890	2464	3132	3913
SILFH2480Z-XG	6.7	XG	1314	1782	2330	2965	3698
SILFH2511Z-XC	8.7	XC	1885	2572	3371	4286	5318
SILFH2511Z-XG	24.4	XG	1789	2441	3206	4093	5105
SILAG2516Z-TZ	10.3 10.2	TZ	2343	3204	4182	5277	6495
SILAG2522Z-TZ	14.2 14.6	TZ	3033	4037	5186	6490	7968
SILAGD2532Z-TZ	22 23	TZ	4712	6565	8740	11218	13963
SILAGD2544Z-TZ	28 29	TZ	6426	8582	11120	14020	17239

* FZ = 220-240V-50Hz TZ = 400V-3PH-50Hz * XC = 220-240V-50Hz XG = 400V-3PH-50Hz

*R452A/R449A selections, refer to Tecumseh Guidelines

J&E Hall Fusion Reciprocating Housed Condensing Units

J & E Hall Fusion and Fusion Scroll commercial refrigeration units create the perfect answer for those demanding a compact yet efficient unit. The units are the ideal solution for commercial refrigeration sectors where noise, size and reliability are paramount. Housed in a cabinet made of electro-galvanised mild steel with an anti-corrosion treatment and coated in baked polyester powder paint, units are able to withstand the most stringent weather testing. The integral IP54 rated control panel provides further protection to all essential electrical components.

1PH - M/HBP R404A, R448A, R449A

CODE	MODEL	APPROX HP	dB(A)*
J220	JEHR-0050-B1-M-1	0.50	29
J221	JEHR-0067-B1-M-1	0.67	28
J102	JEHR-0100-B1-M-1	0.88	28
J223	JEHR-0113-B1-M-1	1.13	28
J230	JEHR-0140-B2-M-1	1.4	32
J4140	JEHR-0170-B2-M-1	1.5	37



Small Casing (Fusion only)

*Sound Pressure Level (SPL) @ 10m free field at -10/+32°C condition. Alternative conditions may produce different results.

3PH - M/HBP R404A, R448A, R449A

CODE	MODEL	APPROX HP	dB(A)*
J231	JEHR-0140-B2-M-3	1.4	32
J4142	JEHR-0170-B2-M-3	1.5	37



Medium Casing (Fusion & Fusion Scroll)

1PH - LBP R404A, R452A

CODE	MODEL	APPROX HP	dB(A)*
J297	JEHR-0135-B1-L-1	1.5	27
J4146	JEHR-0180-B2-L-1	1.75	37
J4150	JEHR-0210-B2-L-1	2.25	40



Large Casing (Fusion & Fusion Scroll)

3PH - LBP R404A, R452A

CODE	MODEL	APPROX HP	Db(A)
J4147	JEHR-0180-B2-L-3	1.75	37
J4151	JEHR-0210-B2-L-3	2.25	40



Twin Casing (Fusion & Fusion Scroll)

J&E Hall
International

J&E Hall Fusion Scroll Housed Condensing Units

Key Features on all Reciprocating and Scroll models

Robust weather resistant housing. Highly reliable hermetic compressor. Liquid receiver with fusible plug. Adjustable HP/LP pressure safety switch. Liquid line with sight glass and filter drier factory fitted IP54 rated control panel with isolator. Noise data tested to ISO 3774-2 standard. Oil separator and check valve for low temperature models. CE marked. Anti corrosion blue fins for improved condenser efficiency. Polyurethane foam insulation for improved noise reduction. Externally mounted service valves for easy isolation and an extended tail for easy installation. Hexagon head screws and stainless steel washers for easy removal of access panels

1PH - M/HBP R404A, R448A, R449A, R134A

CODE	MODEL	APPROX HP	dB(A)*
J240	JEHS-0200-B2-M-1	2.0	33
J242	JEHS-0250-B2-M-1	2.5	34
J244	JEHS-0300-B2-M-1	3.0	36
J246	JEHS-0350-B2-M-1	3.5	39
J4105	JEHS-0350-B3-M-1	3.5	37
J4109	JEHS-0400-B3-M-1	4.0	37



*Sound Pressure Level (SPL) @ 10m free field at -10/+32°C condition. Alternative conditions may produce different results.

3PH - M/HBP R404A, R448A, R449A, R134A

CODE	MODEL	APPROX HP	dB(A)*
J241	JEHS-0200-B2-M-3	2.0	33
J243	JEHS-0250-B2-M-3	2.5	34
J245	JEHS-0300-B2-M-3	3.0	36
J247	JEHS-0350-B2-M-3	3.5	39
J4107	JEHS-0350-B3-M-3	3.5	37
J4111	JEHS-0400-B3-M-3	4.0	37
J4113	JEHS-0500-B3-M-3	5.0	38
J4115	JEHS-0600-B3-M-3	6.0	40
J4117	JEHS-0680-B3-M-3	6.8	40
J4118	JEHS-0800-B4-M-3	8.0	43
J4119	JEHS-1000-B4-M-3	10.0	43
J4124	JEHS-1300-B4-M-3	13.0	46
J4125	JEHS-1500-B4-M-3	15.0	48



3PH - LBP R404A, R448A, R449A

CODE	MODEL	APPROX HP	dB(A)*
J282	JEHS-0300-B2-L-3	3.0	33
J284	JEHS-0400-B3-L-3	4.0	37
J286	JEHS-0500-B3-L-3	5.0	39
J288	JEHS-0600-B3-L-3	6.0	41
J290	JEHS-0750-B4-L-3	7.5	41
J292	JEHS-0950-B4-L3-EVI	9.5	37
J4121	JEHS-1150-B4-L3-EVI	11.5	42



J&E Hall Digital Single & Twin Scroll Condensing Units

J & E Hall has now extended its range of digital single scroll units to include 4hp and 8hp versions. With capacities up to 24kW, the units now offer multi refrigerant options including R448A and R449A. The digital single scroll compressor capacity control matches varying evaporator loads and provides an energy efficient solution for commercial refrigeration applications. The units are also suitable for multi cabinet systems.

Digital Single Scroll

The single scroll is an ideal solution for convenience stores, supermarkets and petrol forecourts. The digital scroll compressor capacity control matches varying display case loads and provides an energy efficient solution for commercial refrigeration applications.

- Single ZBD Copeland digital compressor
- Variable capacity control
- Fan speed controller
- Cu/Al condenser
- Electrical control panel with mains isolator
- Carel electronic controller with LCD display
- Mechanical back up system
- Oil separator
- External service valves
- Liquid line drier and sight glass
- Operates with refrigerants R448A & R449A
- Volt free alarm relay

SERIES 3: 3PH - MBP R448A, R449A

CODE	MODEL	APPROX HP	dB(A)*
J4129	JEHSD-0400-B3-M-3	4.0	39
J4130	JEHSD-0600-B3-M-3	6.0	40
J4131	JEHSD-0800-B3-M-3	8.0	44

Digital Twin Scroll

Following the success of the 12HP digital twin scroll condensing unit, J & E Hall has developed a smaller sized unit with no compromise on design or quality. The new unit still offers capacities up to 38kW but with the benefit of a smaller footprint.

The digital twin scroll is an ideal solution for larger convenience store applications and is an alternative to multi compressor racks. Digital compressor capacity control matches varying display case loads and provides the perfect energy efficient commercial refrigeration solution.

- Twin Copeland scroll compressors, 1 fixed speed and 1 digital
- Hinged door access
- Two condenser fans
- Fan speed controller
- Electrical Control panel with mains isolator
- Carel electronic controller with LCD display
- Mechanical back up system
- Compressor HP switches
- External status lights
- Oil separator/reservoir
- Electronic oil control on both compressors
- Internal ball valves and external service valves
- Liquid line drier and sight glass
- Pressure relief valve on liquid receiver
- Operates with refrigerants R448A & R449A

SERIES 5: 3PH - MBP R448A, R449A

CODE	MODEL	APPROX HP	dB(A)*
J205	JEHSDT-1200-B5-M-3	12.0	42
J207	JEHSDT-1600-B6-M-3	16.0	44



*Sound Pressure Level (SPL) @ 10m free field at -10/+32°C condition. Alternative conditions may produce different results.



J&E Hall Condensing Unit Data

Fusion and Fusion Scroll HBP Unit Specification

Casing	Unit Model	Compressor Model	Ph ~	Electrical Data (A)			SPL @ 10m dB(A)	Unit Connections		Dry Weight (kgs)	Dimensions (mm) (W x D x H)	Mounting Dimensions (mm) (W x D)
				NC	MCC	LRC		Liquid	Suction			
Small	JEHR-0050-B1-M-1	AE 4460Z-FZ1C	1	3.6	5.9	19.4	28	1/4	3/8	49	876 x 430 x 606	545 x 400
	JEHR-0067-B1-M-1	CAJ 9480Z	1	3.3	6.7	24.1	28	3/8	1/2	56		
	JEHR-0100-B1-M-1	CAJ 9510Z	1	4.1	8.4	29.5	28	3/8	1/2	57		
	JEHR-0113-B1-M-1	CAJ 9513Z	1	5.1	11.3	33.5	28	3/8	1/2	58		
Medium	JEHR-0140-B2-M-1	CAJ 4517Z	1	5.9	12.7	38.5	32	3/8	1/2	67	1101 x 444 x 662	703 x 408
	JEHR-0140-B2-M-3	TAJ 4517Z	3	2.9	4.0	18.0	32	3/8	1/2	67		
	JEHR-0170-B2-M-1	CAJ 4519Z	1	7.0	15.2	45.0	33	3/8	5/8	68		
	JEHR-0170-B2-M-3	TAJ 4519Z	3	3.7	4.8	22.0	33	3/8	5/8	68		
	JEHS-0200-B2-M-1	ZB15KQE-PFJ	1	7.9	18.5	58.0	33	3/8	3/4	70		
	JEHS-0200-B2-M-3	ZB15KQE-TFD	3	3.5	7.0	26.0	33	3/8	3/4	70		
	JEHS-0250-B2-M-1	ZB19KQE-PFJ	1	9.9	20.5	61.0	34	3/8	3/4	72		
	JEHS-0250-B2-M-3	ZB19KQE-TFD	3	4.8	7.0	32.0	34	3/8	3/4	72		
	JEHS-0300-B2-M-1	ZB21KQE-PFJ	1	12.8	21.5	82.0	36	3/8	3/4	74		
	JEHS-0300-B2-M-3	ZB21KQE-TFD	3	5.0	10.3	40.0	36	3/8	3/4	74		
	JEHS-0350-B2-M-1	ZB26KQE-PFJ	1	15.4	25.0	97.0	39	3/8	3/4	74		
	JEHS-0350-B2-M-3	ZB26KQE-TFD	3	6.4	9.0	46.0	39	3/8	3/4	74		
Large	JEHS-0350-B3-M-1	ZB26KQE-PFJ	1	14.8	25.0	97.0	37	1/2	3/4	112	1353 x 575 x 872	945 x 500
	JEHS-0350-B3-M-3	ZB26KQE-TFD	3	6.8	9.0	46.0	37	1/2	3/4	112		
	JEHS-0400-B3-M-1	ZB29KQE-PFJ	1	17.0	28.0	114.0	37	1/2	7/8	119		
	JEHS-0400-B3-M-3	ZB29KQE-TFD	3	8.2	11.0	50.0	37	1/2	7/8	119		
	JEHS-0500-B3-M-3	ZB38KQE-TFD	3	9.1	13.5	65.5	38	1/2	7/8	123		
	JEHS-0600-B3-M-3	ZB45KQE-TFD	3	9.6	14.2	74.0	40	1/2	1 1/8	125		
	JEHS-0680-B3-M-3	ZB48KQE-TFD	3	12.3	19.1	101.0	40	1/2	1 1/8	126		
Twin	JEHS-0800-B4-M-3	ZB57KQE-TFD	3	11.4	21.3	102.0	43	3/4	1 1/8	204	1348 x 612 x 1727	940 x 560
	JEHS-1000-B4-M-3	ZB76KQE-TFD	3	16.2	28.0	118.0	43	3/4	1 3/8	226		
	JEHS-1300-B4-M-3	ZB95K5E-TFD	3	22.0	34.0	140.0	46	3/4	1 3/8	238		
Sp	JEHS-1500-B6-M-3	ZB114K5E-TFD	3	27.4	38.0	174.0	48	3/4	1 3/8	332	1735 x 854 x 1727	1240 x 808

Fusion and Fusion Scroll LBP Unit Specification

Casing	Unit Model	Compressor Model	Ph ~	Electrical Data (A)			SPL @ 10m dB(A)	Unit Connections		Dry Weight (kgs)	Dimensions (mm) (W x D x H)	Mounting Dimensions (mm) (W x D)
				NC	MCC	LRC		Liquid	Suction			
Small	JEHR-0115-B1-L-1	CAJ2446Z	1	3.0	8.2	30.0	27	3/8	1/2	59	876 x 430 x 606	545 x 400
	JEHR-0135-B1-L-1	CAJ2464Z	1	4.8	10.0	40.0	27	3/8	1/2	61		
Medium	JEHR-0180-B2-L-1	FH2480Z XC3A	1	6.7	12.0	65.0	35	3/8	5/8	81	1101 x 444 x 662	703 x 408
	JEHR-0180-B2-L-3	FH2480Z XG1A	3	3.1	6.4	31.0	35	3/8	5/8	80		
	JEHR-0210-B2-L-1	FH2511Z XC3A	1	7.3	24.0	71.0	38	3/8	5/8	83		
	JEHR-0210-B2-L-3	FH2511Z XG1A	3	4.0	8.3	60.0	38	3/8	5/8	81		
	JEHS-0300-B2-L-3	ZF09KQE-TFD	3	4.4	6.5	40.0	33	3/8	3/4	78		
Large	JEHS-0400-B3-L-3	ZF13KQE-TFD	3	5.8	10.0	51.5	37	1/2	7/8	132	1353 x 575 x 872	945 x 500
	JEHS-0500-B3-L-3	ZF15KQE-TFD	3	7.6	12.0	64.0	39	1/2	7/8	132		
	JEHS-0600-B3-L-3	ZF18KQE-TFD	3	8.5	12.5	74.0	41	1/2	7/8	133		
Twin	JEHS-0750-B4-L-3	ZF25K5E-TFD	3	8.1	16.6	102.0	41	1/2	1 1/8	203	1348 x 612 x 1727	940 x 560
	JEHS-0950-B4-L-3-EVI	ZF18KVE-TFD-EVI	3	8.5	13.0	74.0	37	1/2	7/8	200		
	JEHS-1150-B4-L-3-EVI	ZFI36KQE-TFD-EVI	3	10.7	20.5	102.0	42	1/2	1 1/8	211		
	JEHS-1400-B4-L-3-EVI	ZF34K5E TFD-EVI	3	15.5	24.0	100.0	44	1/2	1 3/8	235		

NC = Nominal Current at -10°Cte/+32°Cta MT and -35°Cte/+32°Cta LT conditions with R448A refrigerant. MCC = Maximum Continuous Current. LRC = Locked Rotor Current. Sound Pressure Level (SPL) measured in an anechoic room at -10°Cte/+32°Cta MT and -25°Cte/+32°Cta LT conditions. Alternative conditions may produce different results.



J&E Hall Condensing Unit Data

Digital Single Scroll Unit Specification

Unit Model	Refrigerant	SEPR	Cooling Capacity (Watts) @ Te							20°C RGT Cooling Capacity (Watts)*	SPL @ 10m dB(A)	Unit Connections		Dry Weight (Kgs)	Dimensions (mm) (W x D x H)
			-20°C	-15°C	-10°C	-5°C	0°C	5°C	10°C			Liquid	Suction		
JEHSD-0400-B3-M-3	R407A	3.26	4210	5270	6440	7790	9380	11250	-	6620	39	1/2	7/8	128	1353 x 575 x 872
	R407F	3.23	-	5660	6910	8350	10050	12150	-	7030					
	R448A	3.15	4320	5280	6380	7610	9010	10600	12450	6590					
	R449A	3.15	4320	5280	6380	7610	9010	10600	12450	6590					
JEHSD-0600-B3-M-3	R407A	3.24	6030	7470	9150	11050	13200	15550	-	9450	40	1/2	7/8	134	1353 x 575 x 872
	R407F	3.08	6410	7990	9730	11650	13700	15950	-	9950					
	R448A	2.93	6220	7700	9320	11050	13000	15100	17450	9640					
	R449A	2.93	6220	7700	9320	11050	13000	15100	17450	9640					
JEHSD-0800-B4-M-3	R407A	2.75	8120	10000	12200	14750	17650	20900	-	12650	44	3/4	1 1/8	213	1348 x 612 x 1727
	R407F	2.84	8300	10250	12450	15000	17850	21000	-	12750					
	R448A	2.75	8370	10200	12300	14650	17300	20400	23900	12700					
	R449A	2.75	8370	10200	12300	14650	17300	20400	23900	12700					

Digital Twin Scroll Unit Specification

Unit Model	Refrigerant	SEPR	Cooling Capacity (Watts) @ Te							20°C RGT Cooling Capacity (Watts)*	SPL @ 10m dB(A)	Unit Connections		Dry Weight (Kgs)	Dimensions (mm) (W x D x H)
			-20°C	-15°C	-10°C	-5°C	0°C	5°C	10°C			Liquid	Suction		
JEHSDT-1200-B5-M-3	R407A	2.70	-	14300	17480	21200	25400	30200	-	-	42	3/4	1 3/8	315	1387 x 851 x 1697
	R407F	2.79	-	15760	19440	23500	27900	32800	-	19860					
	R448A	2.71	-	15480	18800	22600	26900	31900	37800	19440					
	R449A	2.71	-	15480	18800	22600	26900	31900	37800	19440					
JEHSDT-1600-B6-M-3	R407A	2.66	-	19480	23800	28300	33600	-	-	-	44	3/4	1 3/8	380	1735 x 854 x 1727
	R407F	2.70	-	19650	24250	28950	34300	40300	-	-					
	R448A	2.72	-	19570	23700	28050	33200	39250	46100	24550					
	R449A	2.72	-	19570	23700	28050	33200	39250	46100	24550					

Rating Condition: Suction Gas Superheat 10K / Subcooling 0K / 32°C Ambient
Capacity data presented in accordance with BS EN 13215:2016

Sound Pressure Level (SPL) measured in an anechoic room (-10/+32°C) MT conditions. Alternative conditions may produce different results
*Alternative cooling capacity condition: -10°Cte/+32°Cta MT with 0K SC

J&E Hall Condensing Unit Performance Data

R134a - HBP Capacity Data (Medium, Large & Twin Fan)

Casing	Unit Model	R134a Cooling Capacity (Watts) @ Te							Ecodesign Conditions ①		
		-15°C	-10°C	-5°C	0°C	5°C	10°C	15°C	COP	SEPR	Watts
Small	JEHR-0050-B1-M-1	-	-	-	-	-	-	-	-	-	-
	JEHR-0067-B1-M-1	-	-	-	-	-	-	-	-	-	-
	JEHR-0100-B1-M-1	-	-	-	-	-	-	-	-	-	-
	JEHR-0113-B1-M-1	-	-	-	-	-	-	-	-	-	-
Medium	JEHR-0140-B2-M-1	-	-	-	-	-	-	-	-	-	-
	JEHR-0140-B2-M-3	-	-	-	-	-	-	-	-	-	-
	JEHR-0170-B2-M-1	-	-	-	-	-	-	-	-	-	-
	JEHR-0170-B2-M-3	-	-	-	-	-	-	-	-	-	-
	JEHS-0200-B2-M-1	1610	2050	2550	3120	3770	4530	5360	1.92	-	2130
	JEHS-0200-B2-M-3	1730	2170	2700	3310	4020	4850	5770	2.19	-	2240
	JEHS-0250-B2-M-1	2010	2590	3230	3980	4870	5930	7140	(2.14)	-	-
	JEHS-0250-B2-M-3	1980	2480	3070	3770	4570	5510	6550	(2.13)	-	-
	JEHS-0300-B2-M-1	2410	3090	3830	4690	5690	6890	8240	(2.13)	-	-
	JEHS-0300-B2-M-3	2460	3060	3790	4620	5600	6740	7990	(2.10)	-	-
	JEHS-0350-B2-M-1	2700	3410	4250	5240	6410	7800	9330	(1.86)	-	-
	JEHS-0350-B2-M-3	2800	3480	4300	5240	6320	7610	9010	(2.08)	-	-
Large	JEHS-0350-B3-M-1	2840	3610	4520	5600	6850	8290	9920	2.13	-	3730
	JEHS-0350-B3-M-3	2940	3690	4570	5600	6790	8150	9680	2.36	-	3810
	JEHS-0400-B3-M-1	3850	4900	5950	7170	8740	10800	13600	(2.28)	-	5050
	JEHS-0400-B3-M-3	3400	4240	5220	6360	7690	9230	11000	2.36	-	4370
	JEHS-0500-B3-M-3	4160	5240	6460	7870	9490	11350	13450	-	(2.69)	-
	JEHS-0600-B3-M-3	4930	6160	7610	9300	11250	13350	15700	-	(2.63)	-
	JEHS-0680-B3-M-3	5570	6890	8400	10150	12100	14400	16850	-	(2.57)	-
Twin	JEHS-0800-B4-M-3	6340	7950	9850	12050	14650	17550	20800	-	3.10	8210
	JEHS-1000-B4-M-3	8360	10400	12750	15500	18700	22200	26100	-	3.37	10750
	JEHS-1300-B4-M-3	10474	13043	15952	19241	22951	27122	31795	-	3.09	13519
Sp	JEHS-1500-B6-M-3	12251	15573	19386	23734	28665	34224	-	-	2.96	16134

Rating Condition: Suction Gas Superheat 10K / Subcooling 0K / 32°C Ambient
 ① Ecodesign conditions: -10°Cte/+32°Cta MT with RGT 20°C & 0K SC

COP & SEPR data in brackets shown at 10K SH condition where RGT 20°C data unavailable
 Capacity data presented in accordance with BS EN 13215:2016

J&E Hall Condensing Unit Performance Data

R448A - HBP Capacity Data

Casing	Unit Model	R448A Cooling Capacity (Watts) @ Te							Ecodesign Conditions ①			
		-20°C	-15°C	-10°C	-5°C	0°C	5°C	10°C	COP	SEPR	Watts	
Small	JEHR-0050-B1-M-1	496	643	817	1023	1267	1558	1902	1.66	-	872	
	JEHR-0067-B1-M-1	611	811	1045	1322	1652	2045	2514	1.64	-	1120	
	JEHR-0100-B1-M-1	740	977	1252	1575	1958	2448	2959	1.64	-	1345	
	JEHR-0113-B1-M-1	859	1169	1523	1926	2442	3000	3665	1.71	-	1639	
Medium	JEHR-0140-B2-M-1	1192	1571	2016	2540	3158	3942	4889	2.09	-	2149	
	JEHR-0140-B2-M-3	1156	1556	2020	2560	3194	3936	4808	2.00	-	2152	
	JEHR-0170-B2-M-1	1409	1869	2399	3010	3715	4526	5459	1.73	-	2574	
	JEHR-0170-B2-M-3	1452	1892	2399	2980	3645	4405	5273	1.76	-	2572	
	JEHS-0200-B2-M-1	2080	2620	3240	3940	4740	5670	6740	2.02	-	3330	
	JEHS-0200-B2-M-3	2080	2620	3240	3940	4740	5670	6740	2.02	-	3330	
	JEHS-0250-B2-M-1	2440	3030	3700	4470	5360	6380	7560	1.93	-	3820	
	JEHS-0250-B2-M-3	2440	3030	3700	4470	5360	6380	7560	1.93	-	3820	
	JEHS-0300-B2-M-1	3060	3770	4570	5470	6510	7710	9120	1.85	-	4730	
	JEHS-0300-B2-M-3	3060	3770	4570	5470	6510	7710	9120	1.85	-	4730	
	JEHS-0350-B2-M-1	3530	4340	5270	6320	7530	8940	10600	-	2.72	5460	
	JEHS-0350-B2-M-3	3530	4340	5270	6320	7530	8940	10600	-	2.72	5460	
	Large	JEHS-0350-B3-M-1	3630	4550	5600	6770	8130	9690	11500	-	3.02	5760
		JEHS-0350-B3-M-3	3630	4550	5600	6770	8130	9690	11500	-	3.02	5760
JEHS-0400-B3-M-1		4100	5070	6170	7410	8840	10500	12400	-	3.13	6370	
JEHS-0400-B3-M-3		4100	5070	6170	7410	8840	10500	12400	-	3.13	6370	
JEHS-0500-B3-M-3		4830	6190	7600	9120	10850	12900	15300	-	2.97	7880	
JEHS-0600-B3-M-3		5790	7420	9130	10950	13000	15400	18200	-	3.22	9450	
JEHS-0680-B3-M-3		6430	8240	10150	12100	14350	16950	20000	-	2.96	10500	
Twin	JEHS-0800-B4-M-3	7250	9670	12300	15200	18450	22100	-	-	2.88	12650	
	JEHS-1000-B4-M-3	-	12150	15250	18800	22800	27300	-	-	2.83	15850	
	JEHS-1300-B4-M-3	11693	15327	19164	23283	27761	32674	38100	-	2.97	19909	
Sp	JEHS-1500-B6-M-3	14757	19205	24093	29487	35458	42072	49399	-	2.94	24876	

R448A - LBP Capacity Data

Casing	Unit Model	R448A Cooling Capacity (Watts) @ Te							Ecodesign Conditions ①		
		-45°C	-40°C	-35°C	-30°C	-25°C	-20°C	-15°C	COP	SEPR	Watts
Small	JEHR-0115-B1-L-1	-	-	-	-	-	-	-	-	-	-
	JEHR-0135-B1-L-1	-	-	-	-	-	-	-	-	-	-
Medium	JEHR-0180-B1-L-1	-	-	937	1372	1911	2569	-	0.96	-	1082
	JEHR-0180-B2-L-3	-	-	846	1247	1743	2351	-	1.00	-	979
	JEHR-0210-B2-L-1	-	-	1221	1790	2491	3339	-	0.99	-	1420
	JEHR-0210-B2-L-3	-	-	1170	1701	2354	3145	-	1.00	-	1356
	JEHS-0300-B2-L-3	-	1230	1580	1990	2480	3030	-	0.97	-	1700
Large	JEHS-0400-B3-L-3	-	1820	2380	3030	3790	4670	-	-	1.67	2530
	JEHS-0500-B3-L-3	-	2200	2850	3600	4480	5480	-	-	-	3040
	JEHS-0600-B3-L-3	-	2430	3250	4150	5160	6310	-	-	1.64	3490
Twin	JEHS-0750-B4-L-3	-	3550	4510	5630	6900	8370	-	-	1.64	4810
	JEHS-0950-B4-L-3 EVI	-	3880	4860	5970	7250	8750	-	-	(1.76)	4860
	JEHS-1150-B4-L-3 EVI	-	4920	6230	7730	9390	11200	-	-	(1.71)	6230
	JEHS-1400-B4-L-3 EVI	-	5965	7839	9902	12149	14567	-	-	(1.67)	7839

Rating Condition: Suction Gas Superheat 10K / Subcooling 0K / 32°C Ambient
 ① Ecodesign conditions: -10°C_{Te}/+32°C_{Ta} MT with RGT 20°C & 0K SC

COP & SEPR data in brackets shown at 10K SH condition where RGT 20°C data unavailable
 Capacity data presented in accordance with BS EN 13215:2016



J&E Hall Condensing Unit Performance Data

R449A - HBP Capacity Data

Casing	Unit Model	R449A Cooling Capacity (Watts) @ Te							Ecodesign Conditions ①		
		-20°C	-15°C	-10°C	-5°C	0°C	5°C	10°C	COP	SEPR	Watts
Small	JEHR-0050-B1-M-1	496	643	817	1023	1267	1558	1902	1.66	-	872
	JEHR-0067-B1-M-1	611	811	1045	1322	1652	2045	2514	1.64	-	1120
	JEHR-0100-B1-M-1	740	977	1252	1575	1958	2448	2959	1.64	-	1345
	JEHR-0113-B1-M-1	859	1169	1523	1926	2442	3000	3665	1.71	-	1639
Medium	JEHR-0140-B2-M-1	1192	1571	2016	2540	3158	3942	4889	2.09	-	2149
	JEHR-0140-B2-M-3	1156	1556	2020	2560	3194	3936	4808	2.00	-	2152
	JEHR-0170-B2-M-1	1409	1869	2399	3010	3715	4526	5459	1.73	-	2574
	JEHR-0170-B2-M-3	1452	1892	2399	2980	3645	4405	5273	1.76	-	2572
	JEHS-0200-B2-M-1	2080	2620	3240	3940	4740	5670	6740	2.02	-	3330
	JEHS-0200-B2-M-3	2080	2620	3240	3940	4740	5670	6740	2.02	-	3330
	JEHS-0250-B2-M-1	2440	3030	3700	4470	5360	6380	7560	1.93	-	3820
	JEHS-0250-B2-M-3	2440	3030	3700	4470	5360	6380	7560	1.93	-	3820
	JEHS-0300-B2-M-1	3060	3770	4570	5470	6510	7710	9120	1.85	-	4730
	JEHS-0300-B2-M-3	3060	3770	4570	5470	6510	7710	9120	1.85	-	4730
	JEHS-0350-B2-M-1	3530	4340	5270	6320	7530	8940	10600	-	2.72	5460
	JEHS-0350-B2-M-3	3530	4340	5270	6320	7530	8940	10600	-	2.72	5460
Large	JEHS-0350-B3-M-1	3630	4550	5600	6770	8130	9690	11500	-	3.02	5760
	JEHS-0350-B3-M-3	3630	4550	5600	6770	8130	9690	11500	-	3.02	5760
	JEHS-0400-B3-M-1	4100	5070	6170	7410	8840	10500	12400	-	3.13	6370
	JEHS-0400-B3-M-3	4100	5070	6170	7410	8840	10500	12400	-	3.13	6370
	JEHS-0500-B3-M-3	4830	6190	7600	9120	10850	12900	15300	-	2.97	7880
	JEHS-0600-B3-M-3	5790	7420	9130	10950	13000	15400	18200	-	3.22	9450
	JEHS-0680-B3-M-3	6430	8240	10150	12100	14350	16950	20000	-	2.96	10500
	JEHS-0800-B4-M-3	7250	9670	12300	15200	18450	22100	-	-	2.88	12650
Twin	JEHS-1000-B4-M-3	-	12150	15250	18800	22800	27300	-	-	2.83	15850
	JEHS-1300-B4-M-3	11693	15327	19164	23283	27761	32674	38100	-	2.97	19909
	JEHS-1500-B6-M-3	14757	19205	24093	29487	35458	42072	49399	-	2.94	24876

R449A - LBP Capacity Data

Casing	Unit Model	R449A Cooling Capacity (Watts) @ Te							Ecodesign Conditions ①		
		-45°C	-40°C	-35°C	-30°C	-25°C	-20°C	-15°C	COP	SEPR	Watts
Small	JEHR-0115-B1-L-1	-	-	-	-	-	-	-	-	-	-
	JEHR-0135-B1-L-1	-	-	-	-	-	-	-	-	-	-
Medium	JEHR-0180-B1-L-1	-	-	937	1372	1911	2569	-	0.96	-	1082
	JEHR-0180-B2-L-3	-	-	846	1247	1743	2351	-	1.00	-	979
	JEHR-0210-B2-L-1	-	-	1221	1790	2491	3339	-	0.99	-	1420
	JEHR-0210-B2-L-3	-	-	1170	1701	2354	3145	-	1.00	-	1356
	JEHS-0300-B2-L-3	-	1230	1580	1990	2480	3030	-	0.97	-	1700
Large	JEHS-0400-B3-L-3	-	1820	2380	3030	3790	4670	-	-	1.67	2530
	JEHS-0500-B3-L-3	-	2200	2850	3600	4480	5480	-	-	-	3040
	JEHS-0600-B3-L-3	-	2430	3250	4150	5160	6310	-	-	1.64	3490
Twin	JEHS-0750-B4-L-3	-	3550	4510	5630	6900	8370	-	-	1.64	4810
	JEHS-0950-B4-L-3 EVI	-	3880	4860	5970	7250	8750	-	-	(1.76)	4860
	JEHS-1150-B4-L-3 EVI	-	4920	6230	7730	9390	11200	-	-	(1.71)	6230
	JEHS-1400-B4-L-3 EVI	-	5965	7839	9902	12149	14567	-	-	(1.67)	7839

Rating Condition: Suction Gas Superheat 10K / Subcooling 0K / 32°C Ambient
 ① Ecodesign conditions: -10°Cte/+32°Cta MT with RGT 20°C & 0K SC

COP & SEPR data in brackets shown at 10K SH condition where RGT 20°C data unavailable
 Capacity data presented in accordance with BS EN 13215:2016



J&E HALL Condensing Unit Performance Data

R452A - HBP Capacity Data

Casing	Unit Model	R452A Cooling Capacity (Watts) @ Te							Ecodesign Conditions ①			
		-20°C	-15°C	-10°C	-5°C	0°C	5°C	10°C	COP	SEPR	Watts	
Small	JEHR-0050-B1-M-1	552	696	866	1065	1301	1580	1908	1.67	-	949	
	JEHR-0067-B1-M-1	687	885	1116	1388	1707	2085	2533	1.67	-	1229	
	JEHR-0100-B1-M-1	837	1071	1341	1656	2026	2463	2982	1.68	-	1481	
	JEHR-0113-B1-M-1	983	1277	1612	1997	2444	2968	3584	1.73	-	1788	
Medium	JEHR-0140-B2-M-1	1232	1585	1995	2475	3041	3711	4505	1.92	-	2196	
	JEHR-0140-B2-M-3	1188	1564	1995	2493	3076	3759	4565	1.83	-	2195	
	JEHR-0170-B2-M-1	1456	1904	2417	3005	3681	4454	5344	1.65	-	2685	
	JEHR-0170-B2-M-3	1506	1931	2423	2981	3618	4340	5390	1.73	-	2688	
	JEHS-0200-B2-M-1	-	-	-	-	-	-	-	-	-	-	
	JEHS-0200-B2-M-3	-	-	-	-	-	-	-	-	-	-	
	JEHS-0250-B2-M-1	-	-	-	-	-	-	-	-	-	-	
	JEHS-0250-B2-M-3	-	-	-	-	-	-	-	-	-	-	
	JEHS-0300-B2-M-1	-	-	-	-	-	-	-	-	-	-	
	JEHS-0300-B2-M-3	-	-	-	-	-	-	-	-	-	-	
	JEHS-0350-B2-M-1	-	-	-	-	-	-	-	-	-	-	
	JEHS-0350-B2-M-3	-	-	-	-	-	-	-	-	-	-	
	Large	JEHS-0350-B3-M-1	-	-	-	-	-	-	-	-	-	-
		JEHS-0350-B3-M-3	-	-	-	-	-	-	-	-	-	-
JEHS-0400-B3-M-1		-	-	-	-	-	-	-	-	-	-	
JEHS-0400-B3-M-3		-	-	-	-	-	-	-	-	-	-	
JEHS-0500-B3-M-3		-	-	-	-	-	-	-	-	-	-	
JEHS-0600-B3-M-3		-	-	-	-	-	-	-	-	-	-	
JEHS-0680-B3-M-3		-	-	-	-	-	-	-	-	-	-	
Twin	JEHS-0800-B4-M-3	-	-	-	-	-	-	-	-	-	-	
	JEHS-1000-B4-M-3	-	-	-	-	-	-	-	-	-	-	
	JEHS-1300-B4-M-3	-	-	-	-	-	-	-	-	-	-	
Sp	JEHS-1500-B6-M-3	-	-	-	-	-	-	-	-	-		

R452A - LBP Capacity Data

Casing	Unit Model	R452A Cooling Capacity (Watts) @ Te							Ecodesign Conditions ①		
		-45°C	-40°C	-35°C	-30°C	-25°C	-20°C	-15°C	COP	SEPR	Watts
Small	JEHR-0115-B1-L-1	-	-	517	708	938	1213	-	1.05	-	637
	JEHR-0135-B1-L-1	-	-	658	886	1164	1498	-	0.98	-	814
Medium	JEHR-0180-B1-L-1	-	635	985	1425	1967	2626	-	1.01	-	1223
	JEHR-0180-B2-L-3	-	590	912	1315	1813	2415	-	1.07	-	1133
	JEHR-0210-B2-L-1	-	827	1279	1839	2523	3342	-	0.99	-	1604
	JEHR-0210-B2-L-3	-	805	1228	1753	2394	3162	-	1.05	-	1532
	JEHS-0300-B2-L-3	-	-	-	-	-	-	-	-	-	-
Large	JEHS-0400-B3-L-3	-	-	-	-	-	-	-	-	-	-
	JEHS-0500-B3-L-3	-	-	-	-	-	-	-	-	-	-
	JEHS-0600-B3-L-3	-	-	-	-	-	-	-	-	-	-
Twin	JEHS-0750-B4-L-3	-	-	-	-	-	-	-	-	-	-
	JEHS-0950-B4-L-3 EVI	-	-	-	-	-	-	-	-	-	-
	JEHS-1150-B4-L-3 EVI	-	-	-	-	-	-	-	-	-	-
	JEHS-1400-B4-L-3 EVI	-	-	-	-	-	-	-	-	-	-

Rating Condition: Suction Gas Superheat 10K / Subcooling 0K / 32°C Ambient
 ① Ecodesign conditions: -10°Cte/+32°Cta MT with RGT 20°C & 0K SC

COP & SEPR data in brackets shown at 10K SH condition where RGT 20°C data unavailable
 Capacity data presented in accordance with BS EN 13215:2016

Note: R404A, R407A and R407F data available on request.



J&E Hall Inverter Fusion Scroll Housed Condensing Units

CAPACITY MODULATION AT ITS BEST

With an increased demand for higher energy efficiency refrigeration systems at part load, J&E Hall introduce the first of their Fusion Scroll Inverter condensing unit models.

SPECIFICATION

- Highly reliable scroll compressors
- Full inverter control giving 1.5kW to 25.7kW range
- Oil return cycle
- Liquid line drier and sight glass
- External service valves
- Hinged access doors



3PH - MBP R448A/R449A

CODE	MODEL	dB(A)*
J4160	JEHSI-033-B3-M-3	31
J4164	JEHSI-066-B3-M-3	40
J4169	JEHSI-087-B4-M-3	44

PERFORMANCE DATA

Unit Model	Compressor Model	Ph	Electrical Data			SPL @ 10m dB(A)	Unit Connections		Dry Weight (kgs)	Unit Dimensions (mm) (W x D x H)	Mounting Dimensions (mm) (WxD)
			NC	MCC	LRC		Liquid	Suction			
JEHSI-033-B3-M-3	AGK33FDAMTS	3	3.9	10.8	n/a	31	1/2"	5/8"	116	1334 x 546x 872	945 x 500
JEHSI-066-B3-M-3	AGK66FDAMTS	3	7.0	17.5	n/a	40	1/2"	3/4"	134	1334 x 546x 872	945 x 500
JEHSI-087-B4-M-3	AGK87FDAMTS	3	8.8	24.0	n/a	44	3/4"	7/8"	212	1348 x 600 x 1727	940 x 560

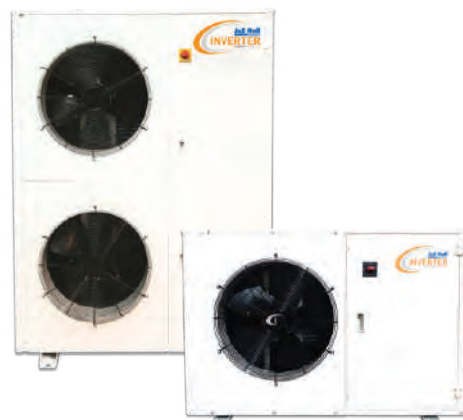
NC = Nominal Current at -10°Cte/+32°Cta MT conditions @ 60rps with R448A refrigerant
MCC = Maximum Continuous Current LRC = Locked Rotor Current

Sound Pressure Level (SPL) measured in an anechoic room at -10°Cte/+32°Cta MT conditions @ 60rps. Alternative conditions may produce different results

R448A/R449A Capacity Data

Casing	Unit Model	Comp. Speed (rps)	SEPR	R448A/R449A Cooling Capacity (Watts) @ Te					
				-20°C	-15°C	-10°C	-5°C	0°C	5°C
Large	JEHSI-033-B3-M-3	30	3.03	1497	1795	2142	2542	2999	3517
		60		1498	3665	4348	5110	5951	6875
		80		1499	4659	5503	6446	7496	8657
		100		1500	5713	6704	7807	9030	10380
	JEHSI-066-B3-M-3	30	3.39	2827	3897	4966	6036	7105	8175
		60		4787	6694	8600	10507	12413	14320
		80		7723	9386	11049	12712	14375	16038
		100		9037	11117	13196	15276	-	-
Twin	JEHSI-087-B4-M-3	30	3.60	3328	4220	5112	6310	7508	8706
		60		6609	8644	10680	13449	16217	18986
		80		9416	11589	13762	16480	19198	21916
		100		11703	13906	16109	19296	22483	25670

Rating Condition MT: Suction Gas Superheat 10K / Subcooling 0K / 32°C Ambient Capacity data presented in accordance with BS EN 13215:2016



Copeland EazyCool™ ZX Scroll Low Noise Housed Condensing Units —

The New Copeland EasyCool™ outdoor condensing units feature; high efficiency **Copeland Scroll** compressors, for significant energy savings. Slim and compact soundproof housing design, with a fan speed controller for low noise operation. Fully equipped electrical panel including overload protector and fitted LP/HP switch. Fitted drier and sight glass with isolating valve for future drier replacement. Suction and liquid line connections on the side of unit for easy connection.

1PH - M/HBP (see table for refrigerants on next page)

CODE	MODEL	APPROX HP	Db(A)
J416	ZXME-020E-PFJ	2	39
J417	ZXME-025E-PFJ	2.5	39
J418	ZXME-030E-PFJ	3	40
J419	ZXME-040E-PFJ	4	40

3PH - M/HBP (see table for refrigerants on next page)

CODE	MODEL	APPROX HP	Db(A)
J420	ZXME-020E-TFD	2	39
J421	ZXME-030E-TFD	3	40
J422	ZXME-040E-TFD	4	40
J423	ZXME-050E-TFD	5	41
J424	ZXME-060E-TFD	6	41
J425	ZXME-075E-TFD	8	42

3PH - LBP (see table for refrigerants on next page)

CODE	MODEL	APPROX HP	Db(A)
J428	ZXLE-020E-TFD	2	39
J429	ZXLE-030E-TFD	3	40
J430	ZXLE-040E-TFD	4	40
J431	ZXLE-050E-TFD	5	41
J432	ZXLE-060E-TFD	6	41
J438	ZXLE-075E-TFD	8	41

FEATURES: 1. Front Door with Quick Check Window 2. Universal controller with status display and adjustable settings 3. Copeland Scroll™ compressor with crankcase heater and sound jacket 4. Easy accessible suction and liquid line connections – slanted for compact design 5. Liquid line isolating valve for drier replacement 6. Low speed fan motors with sickle blades 7. Filter drier and sight glass 8. Oil separator (LT version only) 9. Suction accumulator (LT version only)

Copeland
EazyCool™



Copeland EazyCool™ ZX Low Noise Digital Scroll Housed Condensing Units

Copeland EasyCool™ ZX Digital refrigeration units represent the top level of the ZX product platform. The advantages of the standard models compactness, silence and efficiency are further extended by the capability of continuous capacity modulation. This makes ZX Digital refrigeration units the perfect fit for applications with wide load variations.

FEATURES:

1. Front door with quick check window
2. Universal controller with status display and adjustable settings
3. Copeland scroll digital™ compressor with crankcase heater and sound jacket
4. Easy, accessible suction and liquid line connections – slanted for compact design
5. Liquid line isolating valve for drier replacement
6. Low speed fan motors with sickle blades
7. Filter drier and sight glass
8. Oil separator

3PH - M/HBP (see table for refrigerants on next page)

CODE	MODEL	APPROX HP	Db(A)
J433	ZXDE-040E-TFD	4	40
J434	ZXDE-050E-TFD	5	41
J435	ZXDE-060E-TFD	6	41
J436	ZXDE-075E-TFD	8	42

Copeland
EazyCool™



Copeland EazyCool™ ZX Scroll Condensing Unit Performance

Performance data for medium and low temperature models.

MEDIUM TEMPERATURE MODEL	CAPACITY (kW*)							
	R134A	R404A	R407A	R407F	R448A	R449A	R450A	R513A
ZXME-020E	2.3	3.6	3.5	3.4	3.4	3.4	1.9	2.3
ZXME-025E	2.7	4.3	4.2	4.1	4.2	4.2	2.4	2.8
ZXME-030E	3.2	5.2	4.9	4.9	5.1	5.1	2.8	3.4
ZXME-040E	4.4	7.0	6.3	6.9	6.6	6.6	3.8	4.6
ZXME-050E	5.5	9.1	8.7	8.6	8.8	8.8	4.8	5.9
ZXME-060E	6.5	10.4	9.8	9.7	10.1	10.1	5.6	6.8
ZXME-075E	7.5	11.9	11.3	11.2	11.6	11.6	6.3	7.7

*EN13215 Conditions: Te -10°C, Ta 32°C, SGT 20°C

LOW TEMPERATURE MODEL	CAPACITY (kW*)				
	R404A	R407A	R407F	R448A	R449A
ZXLE-020E	1.7	1.5	1.6	1.5	1.5
ZXLE-030E	2.4	2.0	2.1	2.1	2.1
ZXLE-040E	4.0	3.2	3.3	3.2	3.2
ZXLE-050E	5.0	3.6	3.8	3.6	3.6
ZXLE-060E	5.8	4.2	4.4	4.6	4.6
ZXLE-075E	6.5	4.8	5.0	5.1	5.1

*EN13215 Conditions: Te -35°C, Ta 32°C, SGT 20°C

Copeland EazyCool™ ZX Digital Scroll Condensing Unit Performance.

Performance data for medium temperature model with capacity modulation.

MEDIUM TEMPERATURE MODEL	CAPACITY (kW*)							
	R134A	R404A	R407A	R407F	R448A	R449A	R450A	R513A
ZXDE-040E	4.3	7.6	7.3	7.2	7.2	7.2	3.8	4.6
ZXDE-050E	5.3	9.0	8.7	8.6	8.7	8.7	4.8	5.9
ZXDE-060E	6.3	10.5	9.8	9.0	10.1	10.1	5.6	6.8
ZXDE-075E	7.2	11.9	11.3	10.2	11.4	11.4	6.3	7.7

*EN13215 Conditions: Te -10°C, Ta 32°C, SGT 20°C

Copeland EazyCool™ ZX Scroll & Digital Scroll Condensing Unit Data

MODEL	DIMENSIONS MM			CONNECTIONS	
	LENGTH	WIDTH	HEIGHT	SUCTION	LIQUID
ZXME-020E	1029	424	840	3/4	1/2
ZXME-030E	1029	424	840	3/4	1/2
ZXME-040E	1029	424	840	7/8	1/2
ZXME-050E	1029	424	1242	7/8	1/2
ZXME-060E	1029	424	1242	7/8	1/2
ZXME-075E	1029	424	1242	7/8	1/2
ZXLE-020E	1029	424	840	3/4	1/2
ZXLE-030E	1029	424	840	3/4	1/2
ZXLE-040E	1029	424	840	7/8	1/2
ZXLE-050E	1029	424	1242	7/8	1/2
ZXLE-060E	1029	424	1242	7/8	1/2
ZXLE-075E	1029	424	1242	7/8	1/2
ZXDE-040E	1029	424	1242	7/8	1/2
ZXDE-050E	1029	424	1242	7/8	1/2
ZXDE-060E	1029	424	1242	7/8	1/2
ZXDE-075E	1029	424	1242	7/8	1/2

Profroid QuietCool CO₂ Packaged Condensing Units

Profroid QUIETCO₂OL CO₂ packaged condensing units comprising 4 medium and 3 low temp models. Medium temp application 0.8 - 9.74kW. low temp application 1.31 to 6.48kW. These high quality units include everything you expect in a packaged condensing unit with easy access to all components.

Weatherproof housing with electrical isolator, fitted service valves, variable speed capacity controlled rotary compressor with inverter drive.

Carel controller designed specifically for CO₂ applications and circuit breakers to supply single or multiple evaporators.

Medium temperature models have a single compressor and the low temp models have twin compressors. Ecodesign compliant.



CO₂ - MBP

CODE	MODEL	PHASE
J540	QuietCo ₂ ol MT30	1 PH
J541	QuietCo ₂ ol MT45	1 PH
J544	QuietCo ₂ ol MT67	3 PH
J546	QuietCo ₂ ol MT100	3 PH



CO₂ - LBP

CODE	MODEL	PHASE
J560	QuietCo ₂ ol LT75	1 PH
J562	QuietCo ₂ ol LT112	3 PH
J565	QuietCo ₂ ol LT167	3 PH



OPTIONS

- Water Cooled Version
- EC Fans



Profroid Quiet CO₂ OL CO₂ Packaged Condensing Units

Performance data for medium and low temperature models.

Medium Temperature

	Quiet CO ₂ OL 30MT	Quiet CO ₂ OL 45MT	Quiet CO ₂ OL 67MT	Quiet CO ₂ OL 100MT
Refrigerant	CO ₂ (R744)			
Size	1	1	1	2
Nominal capacity (kW*)	2.25	3.17	5.02	6.82
Minimum capacity (kW*)	0.80	1.13	1.79	2.43
Maximum capacity (kW*)	3.21	4.52	7.18	9.74

Nominal Capacities with CO₂: Saturated suction temperature -8°C / Ambient Air Temperature +32°C

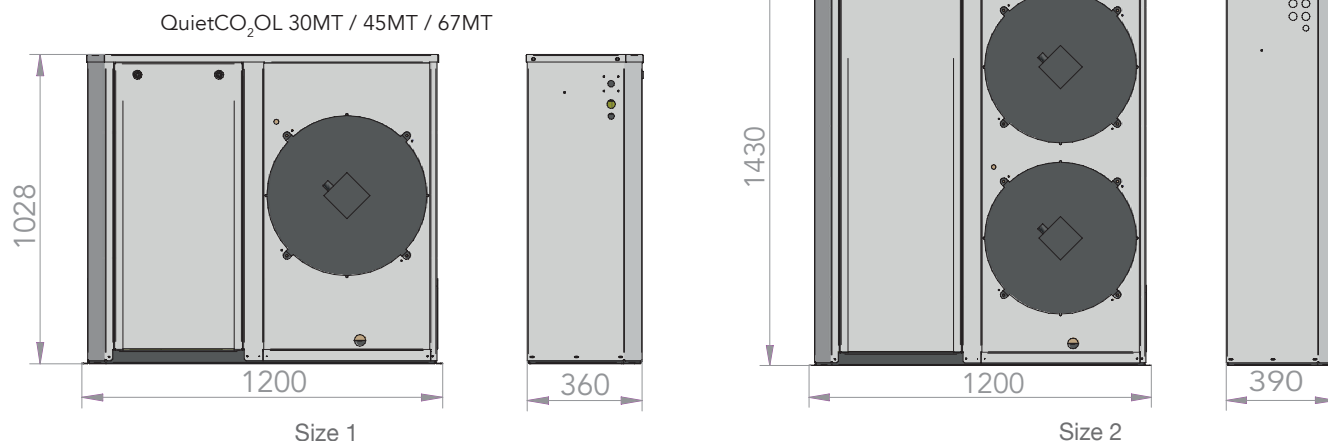
Low Temperature

	Quiet CO ₂ OL LT75	Quiet CO ₂ OL LT112	Quiet CO ₂ OL LT167
Refrigerant	CO ₂ (R744)		
Size	3	4	4
Nominal capacity (kW*)	2.04	3.20	4.54
Minimum capacity (kW*)	1.31	2.00	2.92
Maximum capacity (kW*)	2.92	4.64	6.48

Nominal Capacities with CO₂: Saturated suction temperature -32°C / Ambient Air Temperature +32°C

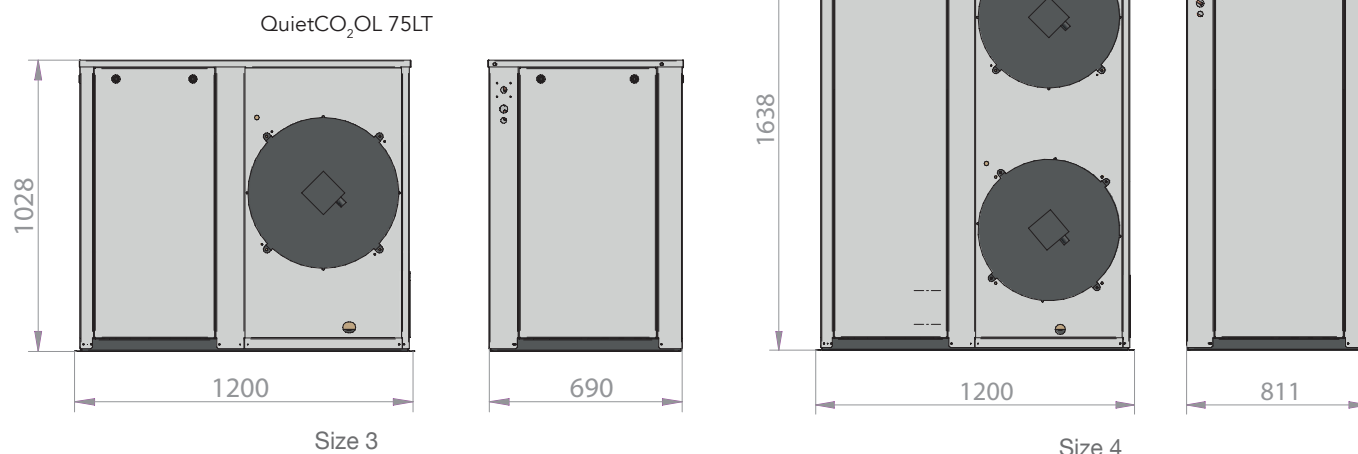
Condensing Unit Dimensions

Medium Temperature



Condensing Unit Dimensions

Low Temperature



GRP Unit Housing

Virgo condensing unit housings are designed to suit a wide range of refrigeration units. Available as standard or acoustic with foam lining to reduce noise.



Standard

CODE	MODEL
J330	GRP-01
J331	GRP-1
J332	GRP-2
J333	GRP-3
J334	GRP-4
J335	GRP-5
J336	GRP-6
J337	GRP-7



Acoustic Lined

CODE	MODEL
J340	GRP-01-AC
J341	GRP-1-AC
J342	GRP-2-AC
J343	GRP-3-AC
J344	GRP-4-AC
J345	GRP-5-AC
J346	GRP-6-AC
J347	GRP-7-AC

Dimensions

MODEL	WIDTH	DEPTH	HEIGHT
GRP-01	584	584	381/432
GRP-1	660	762	559/609
GRP-2	838	965	686/762
GRP-3	1143	813	737/787
GRP-4	1118	1092	864/914
GRP-5	1753	965	864/914
GRP-6	1422	1092	1168/1219
GRP-7	1879	1346	1295/1371

Metal Condensing Unit Housings

Metal unit housings designed to fit Tecumseh Condensing Units. They are supplied flat packed for easy transportation.

CODE	MODEL
JN760	LUH-01
JN761	LUH-02

Dimensions

MODEL	WIDTH	DEPTH	HEIGHT
LUH-01	500	660	360
LUH-02	540	660	490

